



Automatización Eléctrica
Especialistas en Automatización

At the end of this document you will find links to products related to this catalog. You can go directly to our shop by clicking [HERE](#). [HERE](#)

Distributed I/O device - FLS DN M12 DI 16 M12 - 2736327

Please be informed that the data shown in this PDF Document is generated from our Online Catalog. Please find the complete data in the user's documentation. Our General Terms of Use for Downloads are valid (<http://phoenixcontact.com/download>)



The stand-alone device for DeviceNet™ has 16 digital inputs. The M12 connection is established using fast connection technology. The 24 V DC supply is protected against short circuit and overload. The nominal current of the device is 1.2 A.

Why buy this product

- Flexible power supply concept
- Short-circuit and overload protection
- SPEEDCON fast locking system
- Diagnostic and status indicators
- Consistent connection via M12 connectors
- Directly accessible address encoding switch

DeviceNet

Key Commercial Data

Packing unit	1 STK
GTIN	 4 017918 960087

Technical data

Note

Utilization restriction	EMC: class A product, see manufacturer's declaration in the download area
-------------------------	---

Dimensions

Width	60 mm
Height	161 mm
Depth	44.5 mm
Drill hole spacing	151 mm

Ambient conditions

Ambient temperature (operation)	-25 °C ... 60 °C
Ambient temperature (storage/transport)	-25 °C ... 85 °C
Permissible humidity (storage/transport)	95 %
Air pressure (operation)	80 kPa ... 106 kPa (up to 2000 m above sea level)
Air pressure (storage/transport)	70 kPa ... 106 kPa (up to 3000 m above sea level)

Distributed I/O device - FLS DN M12 DI 16 M12 - 2736327

Technical data

Ambient conditions

Degree of protection	IP65/IP67
----------------------	-----------

General

Net weight	310 g
Mounting type	Wall mounting

Interfaces

Fieldbus system	DeviceNet™
Designation	DeviceNet™
Connection method	2 M12 connectors, A-coded
Transmission speed	125 kBit/s, 250 kBit/s, 500 kBit/s (Automatic baud rate detection)
Transmission physics	Copper cable in acc. with DeviceNet™ specification
Address area assignment	0 ... 63, can be set
Number of positions	5

Power supply for module electronics

Connection method	M12 connector, (A-coded)
Designation	U _L
Supply voltage	24 V DC
Supply voltage range	12 V DC ... 30 V DC (including ripple)

Fieldline potentials

Voltage supply U _L	24 V DC
Power supply at U _L	max. 4 A
Current consumption from U _L	typ. 65 mA
	max. 100 mA
Voltage supply U _S	24 V DC
Power supply at U _S	max. 4 A
Current consumption from U _S	typ. 8 mA (plus sensor current)
	max. 1.2 A

Digital inputs

Input name	Digital inputs
Connection method	M12 connector, double occupancy
	2, 3, 4-wire
Number of inputs	16
Protective circuit	Protection against polarity reversal
Filter time	1 ms
Input characteristic curve	IEC 61131-2 type 1
Input voltage	24 V DC
Input voltage range "0" signal	-30 V DC ... 5 V DC
Input voltage range "1" signal	13 V DC ... 30 V DC

Standards and Regulations

Distributed I/O device - FLS DN M12 DI 16 M12 - 2736327

Technical data

Standards and Regulations

Test section	To I/O 500 V AC 50 Hz 1 min.
Mechanical tests	Shock in acc. with EN 60068-2-27/IEC 60068-2-27 Load 30g, half sine wave, positive and negative per direction
Connection in acc. with standard	CUL
Protection class	III, IEC 61140, EN 61140, VDE 0140-1

Classifications

eCl@ss

eCl@ss 4.0	27250302
eCl@ss 4.1	27250302
eCl@ss 5.0	27250302
eCl@ss 5.1	27242604
eCl@ss 6.0	27242604
eCl@ss 7.0	27242604
eCl@ss 8.0	27242604
eCl@ss 9.0	27242604

ETIM

ETIM 2.0	EC001430
ETIM 3.0	EC001599
ETIM 4.0	EC001599
ETIM 5.0	EC001599

UNSPSC

UNSPSC 6.01	43172015
UNSPSC 7.0901	43201404
UNSPSC 11	43172015
UNSPSC 12.01	43201404
UNSPSC 13.2	43201404

Approvals

Approvals

Approvals

UL Recognized / cUL Recognized / DeviceNet / cULus Recognized

Ex Approvals


UL Recognized / cUL Recognized / cULus Recognized


Distributed I/O device - FLS DN M12 DI 16 M12 - 2736327

Approvals


Approvals submitted

Approval details

UL Recognized 

cUL Recognized 

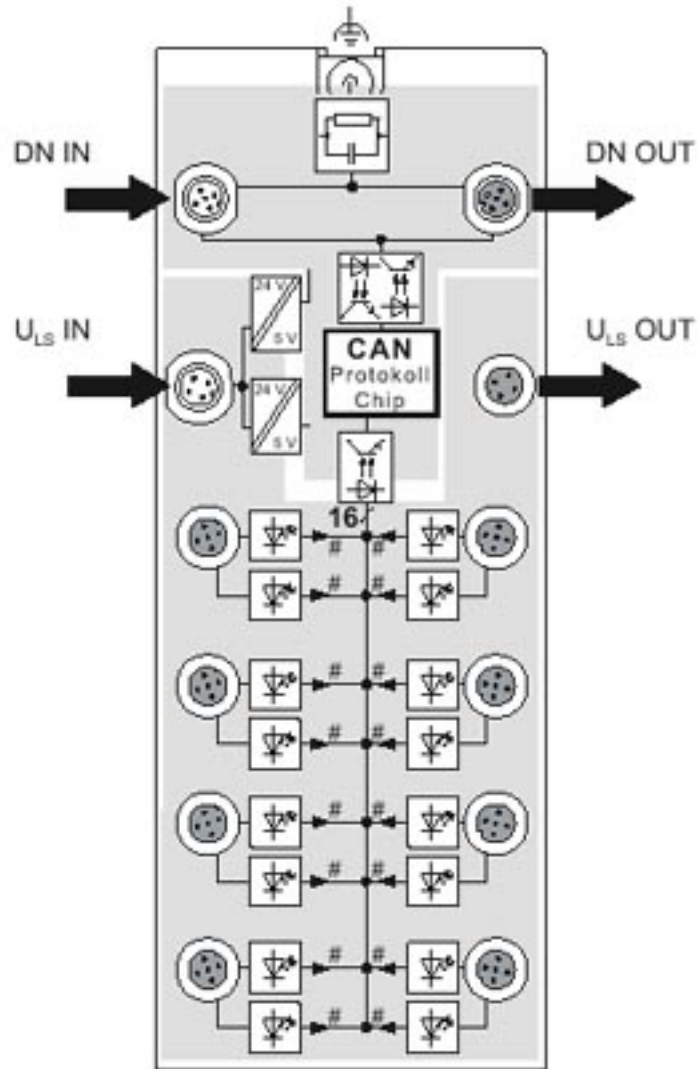
DeviceNet

cULus Recognized 

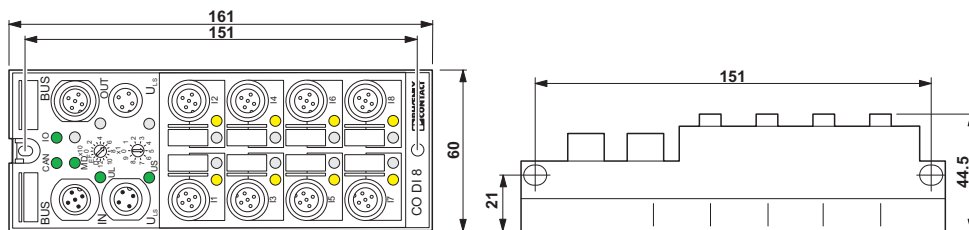
Drawings

Distributed I/O device - FLS DN M12 DI 16 M12 - 2736327

Block diagram

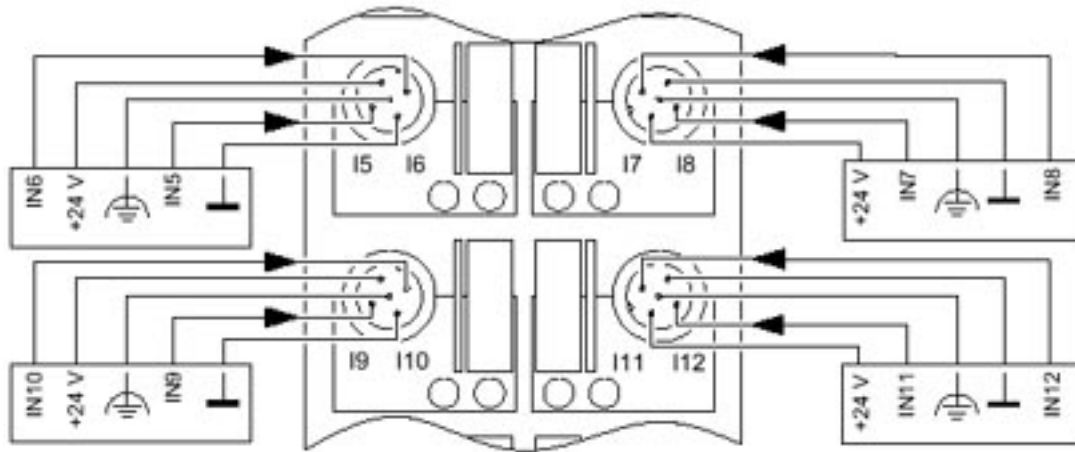


Dimensional drawing



Distributed I/O device - FLS DN M12 DI 16 M12 - 2736327

Connection diagram



Phoenix Contact 2016 © - all rights reserved
<http://www.phoenixcontact.com>

PHOENIX CONTACT GmbH & Co. KG
Flachsmarktstr. 8
32825 Blomberg
Germany
Tel. +49 5235 300
Fax +49 5235 3 41200
<http://www.phoenixcontact.com>



Below is a list of articles with direct links to our shop Electric Automation Network where you can see:

- Quote per purchase volume in real time.
- Online documentation and datasheets of all products.
- Estimated delivery time enquiry in real time.
- Logistics systems for the shipment of materials almost anywhere in the world.
- Purchasing management, order record and tracking of shipments.

To access the product, [click on the green button.](#)

Product	Code	Reference	Product link
The stand-alone device for DeviceNet™ has 16 digital inputs. The M12 connection is established using fast connection technology. The 24 V DC supply is protected against short circuit and overload. The nominal current of the device is 1.2 A.	2736327	FLS DN M12 DI 16 M12	Buy on EAN