



**Automatización Eléctrica**  
Especialistas en Automatización

At the end of this document you will find links to products related to this catalog. You can go directly to our shop by clicking [HERE](#). [HERE](#)

## Cable - VIP-CAB-FLK16/0,14/1,0M - 2318473

Please be informed that the data shown in this PDF Document is generated from our Online Catalog. Please find the complete data in the user's documentation. Our General Terms of Use for Downloads are valid (<http://phoenixcontact.com/download>)

Assembled round cable with two molded 16-pos. socket strips (1:1 connection). The cable has a 90° punched on connector and a 180° punched on connector, cable length: 1 m




The figure shows the 14-pos. product version

### Why buy this product

- Available in any choice of length
- 10 to 20-pos.
- Individual serial number
- Connector according to IEC 60603-13
- 1:1 connection

### Key Commercial Data

|              |   |
|--------------|---|
| Packing unit | 1 STK   |
| GTIN         | <br>4 046356 312103 |

### Technical data

#### General

|   |   |
|---|---|
| Nominal voltage U <sub>N</sub>                | < 50 V AC   |
|   | 60 V DC   |
| Max. current carrying capacity per path       | 1 A   |
| Max. conductor resistance                     | 0.16 Ω/m  |
| Length of cable                               | 1 m   |
| Single wire, cross section                    | 0.14 mm <sup>2</sup>                                |
| Single wire, cross section [AWG]              | 26  |
| Conductor construction: Number of litz wires: | 7   |
| Single wire, material                         | Cu tin-plated                                       |
| External diameter                             | 6.8 mm  |
| Cable, preassembly                            | Insulation displacement, IEC 60352-4/DIN EN 60352-4 |
| Shielding                                     | no  |
| Outer sheath, material                        | PVC   |
| External sheath, color                        | gray RAL 7035                                       |

# Cable - VIP-CAB-FLK16/0,14/1,0M - 2318473

## Technical data

### Environmental conditions

|   |                             |
|---|-----------------------------|
| Ambient temperature (operation)         | -20 °C ... 50 °C            |
| Ambient temperature (storage/transport) | -20 °C ... 70 °C            |
| Flame resistance                        | IEC 60332-1                 |
|   | DIN VDE 0482 Part 332-1     |
| Resistance to oil                       | UL 1581                     |
| Gasoline resistance                     | Against occasional splashes |

### Connector, module side

|                       |                                |
|-----------------------|--------------------------------|
| Connection method     | IDC/FLK socket strip (2.54 mm) |
| Number of connections | 1                              |
| Number of positions   | 16                             |

### Connector, controller side

|                       |                                |
|-----------------------|--------------------------------|
| Connection method     | IDC/FLK socket strip (2.54 mm) |
| Number of connections | 1                              |
| Number of positions   | 16                             |

### Standards and Regulations

|                                  |                         |
|----------------------------------|-------------------------|
| Resistance to oil                | UL 1581                 |
| Connection in acc. with standard | CUL                     |
| Flame resistance                 | IEC 60332-1             |
|                                  | DIN VDE 0482 Part 332-1 |

## Classifications

### eCl@ss

|            |          |
|------------|----------|
| eCl@ss 4.0 | 27060306 |
| eCl@ss 4.1 | 27060306 |
| eCl@ss 5.0 | 27061801 |
| eCl@ss 5.1 | 27061801 |
| eCl@ss 6.0 | 27061801 |
| eCl@ss 7.0 | 27061801 |
| eCl@ss 8.0 | 27249205 |

### ETIM

|          |          |
|----------|----------|
| ETIM 2.0 | EC000237 |
| ETIM 3.0 | EC000237 |
| ETIM 4.0 | EC000237 |
| ETIM 5.0 | EC000237 |

### UNSPSC

|               |          |
|---------------|----------|
| UNSPSC 6.01   | 26121620 |
| UNSPSC 7.0901 | 26121620 |

# Cable - VIP-CAB-FLK16/0,14/1,0M - 2318473

## Classifications

### UNSPSC

|              |          |
|--------------|----------|
| UNSPSC 11    | 26121620 |
| UNSPSC 12.01 | 26121620 |
| UNSPSC 13.2  | 26121620 |

## Approvals

### Approvals

---

#### Approvals

UL Recognized / cUL Recognized / EAC / cULus Recognized

---

#### Ex Approvals

---

#### Approvals submitted

---

## Approval details

UL Recognized 

cUL Recognized 

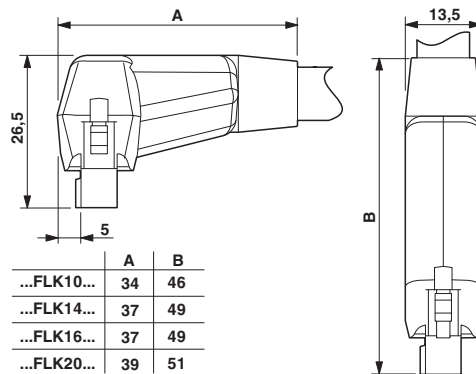
EAC

cULus Recognized 

## Drawings

## Cable - VIP-CAB-FLK16/0,14/1,0M - 2318473

Dimensional drawing



Phoenix Contact 2016 © - all rights reserved  
<http://www.phoenixcontact.com>

PHOENIX CONTACT GmbH & Co. KG  
Flachsmarktstr. 8  
32825 Blomberg  
Germany  
Tel. +49 5235 300  
Fax +49 5235 3 41200  
<http://www.phoenixcontact.com>



Below is a list of articles with direct links to our shop Electric Automation Network where you can see:

- Quote per purchase volume in real time.
- Online documentation and datasheets of all products.
- Estimated delivery time enquiry in real time.
- Logistics systems for the shipment of materials almost anywhere in the world.
- Purchasing management, order record and tracking of shipments.

To access the product, [click on the green button.](#)

| Product   | Code    | Reference               | Product link               |
|---|---------|-------------------------|----------------------------|
| Assembled round cable with two molded 16-pos. socket strips (1:1 connection). The cable has a 90° punched on connector and a 180° punched on connector, cable length: 1 m | 2318473 | VIP-CAB-FLK16/0,14/1,0M | <a href="#">Buy on EAN</a> |