



**Automatización Eléctrica**  
Especialistas en Automatización

At the end of this document you will find links to products related to this catalog. You can go directly to our shop by clicking [HERE](#). [HERE](#)

## Device coupler - FB-12SP - 2316310

Please be informed that the data shown in this PDF Document is generated from our Online Catalog. Please find the complete data in the user's documentation. Our General Terms of Use for Downloads are valid (<http://phoenixcontact.com/download>)

Device coupler for Foundation Fieldbus with terminal connections for 12 spurs connected to fieldbus end devices




### Why buy this product

- Connect up to 12 Foundation Fieldbus or PROFIBUS PA field devices
- Terminator preinstalled
- Provides current limiting short-circuit protection per spur
- Ex nA [nL, Ex nA [ic] or FISCO ic spur connections
- Single-sided plug configuration eliminates cable bend radius issues



### Key Commercial Data

Packing unit	1 STK
GTIN	 4 046356 883597

### Technical data

#### Dimensions

Width	254.1 mm
Height	112.5 mm
Depth	83.5 mm

#### Ambient conditions

Ambient temperature (operation)	-50 °C ... 90 °C
Ambient temperature (storage/transport)	-50 °C ... 90 °C
Degree of protection	IP20

#### General

Standards/regulations	EN 60079-0:2011; EN 60079-11:2012; EN 60079-15:2005; EN 60079-15:2010
-----------------------	---

# Device coupler - FB-12SP - 2316310

## Technical data

### General

	IEC 60079-0:2011; IEC 60079-11:2011; IEC 60079-15:2005; IEC 60079-15:2010
Mounting position	On horizontal and vertical DIN rail NS 35 in acc. with EN 60715
Net weight	444 g
Conformance	CE-compliant, additionally EN 61326
Fieldbus Foundation	FF-846

### Power supply

Supply voltage range	10.5 V DC ... 32 V DC (input on trunk line side)
Typical current consumption	6.5 mA
Conductor cross section flexible max.	0.20 mm <sup>2</sup>
Conductor cross section flexible min.	2.50 mm <sup>2</sup>
Conductor cross section solid max.	0.20 mm <sup>2</sup>
Conductor cross section solid min.	2.50 mm <sup>2</sup>
Max. AWG conductor cross section, flexible	12
Min. AWG conductor cross section, flexible	24
Conductor cross section AWG max.	12
Conductor cross section AWG min.	24

### Serial interface

Interface 1	Foundation Fieldbus and PROFIBUS PA Segment
Connection method	Pluggable COMBICON screw connection for each spur
Termination resistor	100 Ω (external removable plug)
Conductor cross section solid min.	0.2 mm <sup>2</sup>
Conductor cross section solid max.	2.5 mm <sup>2</sup>
Conductor cross section flexible min.	0.2 mm <sup>2</sup>
Conductor cross section flexible max.	2.5 mm <sup>2</sup>
Conductor cross section AWG min.	24
Conductor cross section AWG max.	12
Output nominal voltage	≤ 32 V (each spur)
Output current	38 mA

### Safety data

Max. output voltage U <sub>o</sub>	U <sub>in</sub>
Max. output current I <sub>o</sub>	56 mA
Max. output power P <sub>o</sub>	1.792 W
Group	IIC/IIB
Max. external capacity C <sub>o</sub>	80 nF
Group	IIC/IIB
Max. external inductivity L <sub>o</sub>	0.26 mH
ATEX	Sira 13ATEX4247X; # II 3(3)G Ex nA [ic] IIC T4 Gc, Entity/FISCO ic spurs Ex nA [nL] IIC T4 Gc; # II 3G Ex ic IIC T4 Gc, FISCO ic

# Device coupler - FB-12SP - 2316310

## Technical data

### Safety data

IECEX	IECEX SIR 13.0089X; Ex nA [ic] IIC T4 Gc, Entity/FISCO ic spurs; Ex nA [nL] IIC T4 Gc; Ex ic IIC T4 Gc, FISCO ic
CSA, USA/Canada	Class I, Div. 2, Groups A, B, C, D; Ex nA [nL] IIC T4; Class I, Zone 2, AEx nA [nC] IIC T4
Safety-related maximum voltage $U_m$	17.5 V (in acc. with EN 60079-11)

### Standards and Regulations

Shock	30g, 11 ms
Standards/regulations	EN 60079-0:2011; EN 60079-11:2012; EN 60079-15:2005; EN 60079-15:2010
	IEC 60079-0:2011; IEC 60079-11:2011; IEC 60079-15:2005; IEC 60079-15:2010
Flammability rating according to UL 94	V0
Vibration (operation)	5g, 10 ... 150 Hz
Conformance	CE-compliant, additionally EN 61326
Fieldbus Foundation	FF-846
Group	IIC/IIB
	IIC/IIB
ATEX	Sira 13ATEX4247X; # II 3(3)G Ex nA [ic] IIC T4 Gc, Entity/FISCO ic spurs Ex nA [nL] IIC T4 Gc; # II 3G Ex ic IIC T4 Gc, FISCO ic
IECEX	IECEX SIR 13.0089X; Ex nA [ic] IIC T4 Gc, Entity/FISCO ic spurs; Ex nA [nL] IIC T4 Gc; Ex ic IIC T4 Gc, FISCO ic
CSA, USA/Canada	Class I, Div. 2, Groups A, B, C, D; Ex nA [nL] IIC T4; Class I, Zone 2, AEx nA [nC] IIC T4

## Classifications

### eCl@ss

eCl@ss 4.0	27240490
eCl@ss 4.1	27240490
eCl@ss 5.0	27242208
eCl@ss 5.1	27242208
eCl@ss 6.0	27242208
eCl@ss 7.0	27242208
eCl@ss 8.0	27242608

### ETIM

ETIM 4.0	EC001423
ETIM 5.0	EC001600

### UNSPSC

UNSPSC 6.01	30211506
UNSPSC 7.0901	39121008

# Device coupler - FB-12SP - 2316310

## Classifications

### UNSPSC

UNSPSC 11	39121008
UNSPSC 12.01	39121008
UNSPSC 13.2	43201553

## Approvals

### Approvals

Approvals

UL Listed / cUL Listed

Ex Approvals

IECEX / ATEX / UL Listed / CSA / CSAus / cCSAus

Approvals submitted

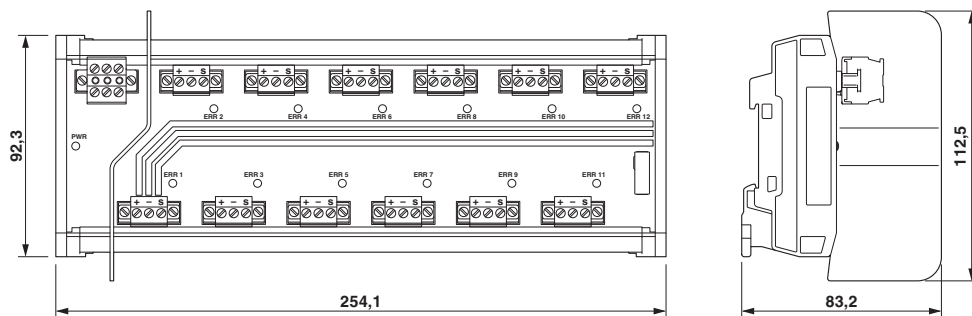
### Approval details

UL Listed

cUL Listed

## Drawings

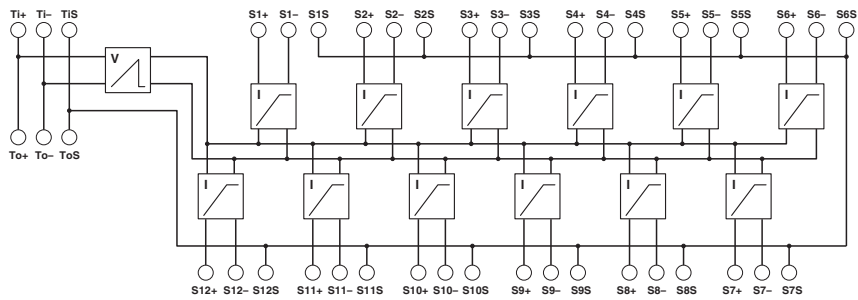
Dimensional drawing



FB-12SP dimensions

## Device coupler - FB-12SP - 2316310

Circuit diagram



Connection diagram: FB-12SP

Phoenix Contact 2016 © - all rights reserved  
<http://www.phoenixcontact.com>

PHOENIX CONTACT GmbH & Co. KG  
Flachsmarktstr. 8  
32825 Blomberg  
Germany  
Tel. +49 5235 300  
Fax +49 5235 3 41200  
<http://www.phoenixcontact.com>



Below is a list of articles with direct links to our shop Electric Automation Network where you can see:

- Quote per purchase volume in real time.
- Online documentation and datasheets of all products.
- Estimated delivery time enquiry in real time.
- Logistics systems for the shipment of materials almost anywhere in the world.
- Purchasing management, order record and tracking of shipments.

To access the product, [click on the green button.](#)

Product	Code	Reference	Product link
Device coupler for Foundation Fieldbus with terminal connections for 12 spurs connected to fieldbus end devices	2316310	FB-12SP	<a href="#">Buy on EAN</a>