

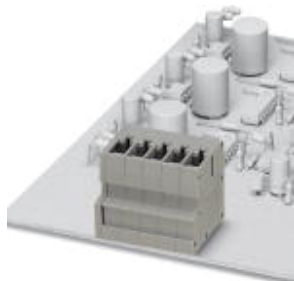


**Automatización Eléctrica**  
Especialistas en Automatización

At the end of this document you will find links to products related to this catalog. You can go directly to our shop by clicking [HERE](#). [HERE](#)

## Base strip - ST 4-PCBV/ 9-G-6,2 - 1980776

Please be informed that the data shown in this PDF Document is generated from our Online Catalog. Please find the complete data in the user's documentation. Our General Terms of Use for Downloads are valid (<http://phoenixcontact.com/download>)



ST-COMBI receptacle, plug-in direction vertical to the PCB, pitch: 6.2 mm, no. of positions: 9

The illustration shows the 5-pos. version

### Why buy this product

- The pitch width of this base strip is matched to that of the COMBI plug
- Universal plug-in solutions from the DIN rail through to the device can be implemented with the same plug

### Key Commercial Data

Packing unit	50 STK
GTIN	 4 017918 972448

### Technical data

#### Dimensions

Pitch	6.20 mm
Width	55.8 mm
Pin dimensions	1,2 x 1,3
Hole diameter	2.00 mm

#### General

Insulating material group	I
Maximum load current	32 A (with 6 mm <sup>2</sup> conductor cross section)
Insulating material	PA
Flammability rating according to UL 94	V0
Internal cylindrical gage	A4
Number of positions	9

#### Standards and Regulations

Connection in acc. with standard	CUL
Flammability rating according to UL 94	V0

# Base strip - ST 4-PCBV/ 9-G-6,2 - 1980776

## Classifications

### eCl@ss

eCl@ss 4.0	272607xx
eCl@ss 4.1	27260701
eCl@ss 5.0	27260701
eCl@ss 5.1	27260701
eCl@ss 6.0	27260704
eCl@ss 7.0	27440402
eCl@ss 8.0	27440402
eCl@ss 9.0	27440402

### ETIM

ETIM 3.0	EC001121
ETIM 4.0	EC002637
ETIM 5.0	EC002637

### UNSPSC

UNSPSC 6.01	30211810
UNSPSC 7.0901	39121409
UNSPSC 11	39121409
UNSPSC 12.01	39121409
UNSPSC 13.2	39121409

## Approvals

### Approvals


#### Approvals

UL Recognized / cUL Recognized / EAC / cULus Recognized

#### Ex Approvals

#### Approvals submitted

### Approval details

UL Recognized 		
	B	C
Nominal current I <sub>N</sub>	20 A	20 A

## Base strip - ST 4-PCBV/ 9-G-6,2 - 1980776

### Approvals

	B	C
Nominal voltage UN	600 V	600 V

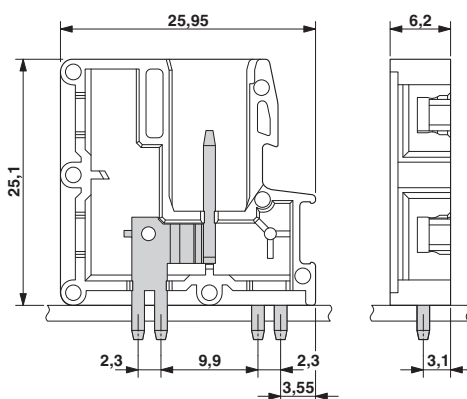
cUL Recognized		
	B	C
Nominal current IN	20 A	20 A
Nominal voltage UN	600 V	600 V

EAC
-----

cULus Recognized
------------------

### Drawings

Dimensional drawing



Phoenix Contact 2016 © - all rights reserved  
<http://www.phoenixcontact.com>

PHOENIX CONTACT GmbH & Co. KG  
 Flachsmarktstr. 8  
 32825 Blomberg  
 Germany  
 Tel. +49 5235 300  
 Fax +49 5235 3 41200  
<http://www.phoenixcontact.com>



Below is a list of articles with direct links to our shop Electric Automation Network where you can see:

- Quote per purchase volume in real time.
- Online documentation and datasheets of all products.
- Estimated delivery time enquiry in real time.
- Logistics systems for the shipment of materials almost anywhere in the world.
- Purchasing management, order record and tracking of shipments.

To access the product, [click on the green button.](#)

Product	Code	Reference	Product link
ST-COMBI receptacle, plug-in direction vertical to the PCB, pitch: 6.2 mm, no. of positions: 9	1980776	ST 4-PCBV/ 9-G-6,2	<a href="#">Buy on EAN</a>