



Automatización Eléctrica
Especialistas en Automatización

At the end of this document you will find links to products related to this catalog. You can go directly to our shop by clicking [HERE](#). [HERE](#)

Base strip - MCV 0,5/ 2-G-2,5 THT R44 - 1963751

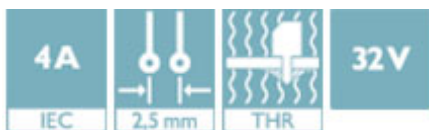
Please be informed that the data shown in this PDF Document is generated from our Online Catalog. Please find the complete data in the user's documentation. Our General Terms of Use for Downloads are valid (<http://phoenixcontact.com/download>)



Header, Nominal current: 4 A, Rated voltage (III/2): 160 V, Number of positions: 2, Pitch: 2.5 mm, Color: black, Contact surface: Tin, Mounting: THR soldering, User information and design recommendations on Through Hole Reflow Technology can be found at: "Downloads"

Why buy this product

- Alternative pin lengths of 1.4 mm or 2.6 mm available on request
- Low-profile THR pin strips with a compact MICRO pitch of 2.5 mm
- Reel diameter: 330 mm, tape width: 44 mm
- Delivery form: box packaging, in bulk for small series
- Delivery form: tape-on-reel packing according to IEC 60286-3 for automated mounting
- Use in SMT reflow processes



Key Commercial Data

Packing unit	220 STK
Minimum order quantity	220 STK
GTIN	 4 017918 916381

Technical data

Dimensions

Length	8.1 mm
Pitch	2.50 mm
Dimension a	2.5 mm
Constructional height	10.1 mm
Height	10.1 mm
Length of the solder pin	3.5 mm
Pin dimensions	0,8 x 0,8 mm
Pin spacing	2.50 mm
Hole diameter	1.4 mm

General

Base strip - MCV 0,5/ 2-G-2,5 THT R44 - 1963751

Technical data

General

Range of articles	MCV 0,5/...-G-THT
Insulating material group	IIIa
Rated surge voltage (III/3)	1.5 kV
Rated surge voltage (III/2)	2.5 kV
Rated surge voltage (II/2)	2.5 kV
Rated voltage (III/3)	32 V
Rated voltage (III/2)	160 V
Rated voltage (II/2)	160 V
Connection in acc. with standard	EN-VDE
Nominal current I _N	4 A
Insulating material	PA
Flammability rating according to UL 94	V0
Color	black
Number of positions	2

Standards and Regulations

Connection in acc. with standard	EN-VDE
	CUL
Flammability rating according to UL 94	V0

Classifications

eCl@ss

eCl@ss 4.0	272607xx
eCl@ss 4.1	27260701
eCl@ss 5.0	27260701
eCl@ss 5.1	27260701
eCl@ss 6.0	27260704
eCl@ss 7.0	27440402
eCl@ss 8.0	27440402
eCl@ss 9.0	27440402

ETIM

ETIM 3.0	EC001121
ETIM 4.0	EC002637
ETIM 5.0	EC002637

UNSPSC

UNSPSC 6.01	30211810
UNSPSC 7.0901	39121409
UNSPSC 11	39121409
UNSPSC 12.01	39121409

Base strip - MCV 0,5/ 2-G-2,5 THT R44 - 1963751

Classifications

UNSPSC

UNSPSC 13.2	39121409
-------------	----------

Approvals

Approvals

Approvals

UL Recognized / VDE Gutachten mit Fertigungsüberwachung / cUL Recognized / IEC60947-1 CB Scheme / CCA / cULus Recognized

Ex Approvals

Approvals submitted

Approval details

UL Recognized	
	B
Nominal current I _N	4 A
Nominal voltage U _N	125 V

VDE Gutachten mit Fertigungsüberwachung	
Nominal current I _N	4 A
Nominal voltage U _N	32 V

cUL Recognized	
	B
Nominal current I _N	4 A
Nominal voltage U _N	125 V

Base strip - MCV 0,5/ 2-G-2,5 THT R44 - 1963751

Approvals

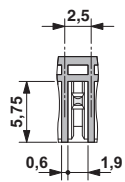
IECEE CB Scheme	
Nominal current IN	4 A
Nominal voltage UN	32 V

CCA	
Nominal current IN	4 A
Nominal voltage UN	32 V

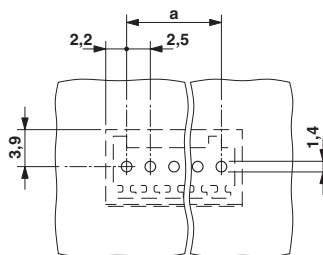
cULus Recognized	
------------------	--

Drawings

Dimensional drawing

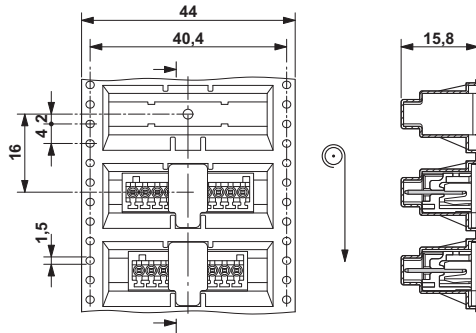


Drilling diagram

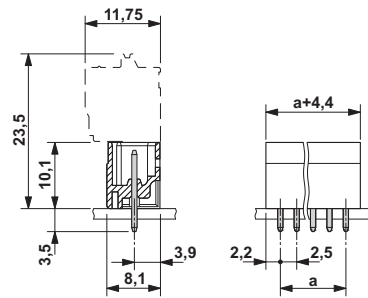


Base strip - MCV 0,5/ 2-G-2,5 THT R44 - 1963751

Dimensional drawing

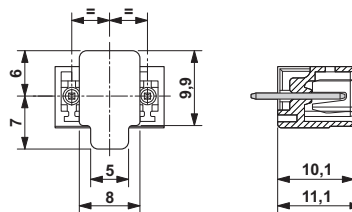


Dimensional drawing



Direction of the arrow = feeding direction

Dimensional drawing



Phoenix Contact 2016 © - all rights reserved
<http://www.phoenixcontact.com>

PHOENIX CONTACT GmbH & Co. KG
Flachsmarktstr. 8
32825 Blomberg
Germany
Tel. +49 5235 300
Fax +49 5235 3 41200
<http://www.phoenixcontact.com>

Below is a list of articles with direct links to our shop Electric Automation Network where you can see:

- Quote per purchase volume in real time.
- Online documentation and datasheets of all products.
- Estimated delivery time enquiry in real time.
- Logistics systems for the shipment of materials almost anywhere in the world.
- Purchasing management, order record and tracking of shipments.

To access the product, [click on the green button.](#)

Product	Code	Reference	Product link
Header, Nominal current: 4 A, Rated voltage (III/2): 160 V, Number of positions: 2, Pitch: 2.5 mm, Color: black, Contact surface: Tin, Mounting: SMD/THT/THR, User information and design recommendations on Through Hole Reflow Technology can be found at: "Downloads"	1963751	MCV 0,5/ 2-G-2,5 THT R44	Buy on EAN