



Automatización Eléctrica
Especialistas en Automatización

At the end of this document you will find links to products related to this catalog. You can go directly to our shop by clicking [HERE](#). [HERE](#)

PCB connector - ZEC 1,0/ 6-LPV-3,5 C1 - 1915699

Please be informed that the data shown in this PDF Document is generated from our Online Catalog. Please find the complete data in the user's documentation. Our General Terms of Use for Downloads are valid (<http://phoenixcontact.com/download>)

Printed circuit board connector, Nominal current: 8 A, Rated voltage (III/2): 200 V, Number of positions: 6, Pitch: 3.5 mm, Color: green, Contact surface: Tin, Mounting: Direct plug-in method



The figure shows a 10-position version of the product

Why buy this product

- Larger numbers of positions available on request
- Chamfer in the plug-in area has a positive effect on insertion and withdrawal forces/cycles
- Contact made directly on a 1.6 mm thick PCB without additional pin strips



Key Commercial Data

Packing unit	50 STK
GTIN	 4 017918 181482

Technical data

Dimensions

Pitch	3.50 mm
Dimension a	21 mm

General

Range of articles	ZEC 1,0/..-LPV
Insulating material group	I
Rated surge voltage (III/3)	2.5 kV
Rated surge voltage (III/2)	2.5 kV
Rated surge voltage (II/2)	2.5 kV
Rated voltage (III/2)	200 V
Rated voltage (II/2)	320 V
Connection in acc. with standard	EN-VDE
Nominal current I_N	8 A

PCB connector - ZEC 1,0/ 6-LPV-3,5 C1 - 1915699

Technical data

General

Nominal voltage U_N	160 V
Nominal cross section	1 mm ²
Maximum load current	8 A
Insulating material	PA
Flammability rating according to UL 94	V0
Number of positions	6

Standards and Regulations

Connection in acc. with standard	EN-VDE
	CUL
Flammability rating according to UL 94	V0

Classifications

eCl@ss

eCl@ss 4.0	272607xx
eCl@ss 4.1	27260701
eCl@ss 5.0	27260701
eCl@ss 5.1	27260701
eCl@ss 6.0	27260704
eCl@ss 7.0	27440402
eCl@ss 8.0	27440402
eCl@ss 9.0	27440402

ETIM

ETIM 3.0	EC001121
ETIM 4.0	EC002643
ETIM 5.0	EC002637

UNSPSC

UNSPSC 6.01	30211810
UNSPSC 7.0901	39121409
UNSPSC 11	39121409
UNSPSC 12.01	39121409
UNSPSC 13.2	39121409

Approvals

Approvals

Approvals

UL Recognized / VDE Gutachten mit Fertigungsüberwachung / cUL Recognized / IECCE CB Scheme / CCA / EAC / cULus Recognized

PCB connector - ZEC 1,0/ 6-LPV-3,5 C1 - 1915699

Approvals

Ex Approvals

Approvals submitted

Approval details

UL Recognized	
	B
Nominal current IN	8 A
Nominal voltage UN	150 V

VDE Gutachten mit Fertigungsüberwachung	
Nominal current IN	8 A
Nominal voltage UN	160 V

cUL Recognized	
	B
Nominal current IN	8 A
Nominal voltage UN	150 V

IECEE CB Scheme	
Nominal current IN	10 A
Nominal voltage UN	1000 V

CCA	
Nominal current IN	10 A
Nominal voltage UN	1000 V

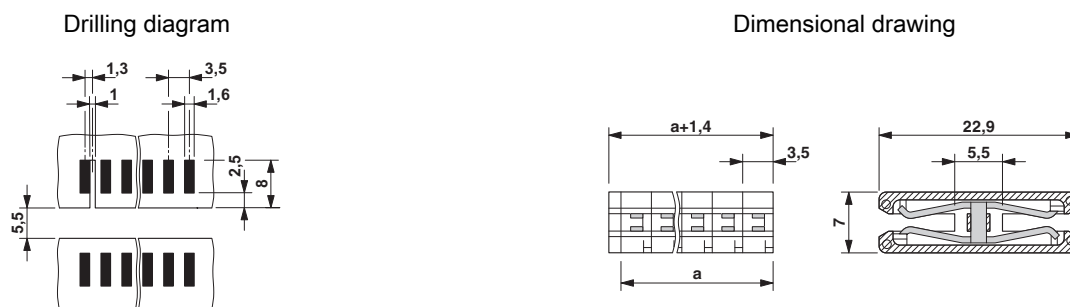
PCB connector - ZEC 1,0/ 6-LPV-3,5 C1 - 1915699

Approvals

EAC

cULus Recognized US

Drawings

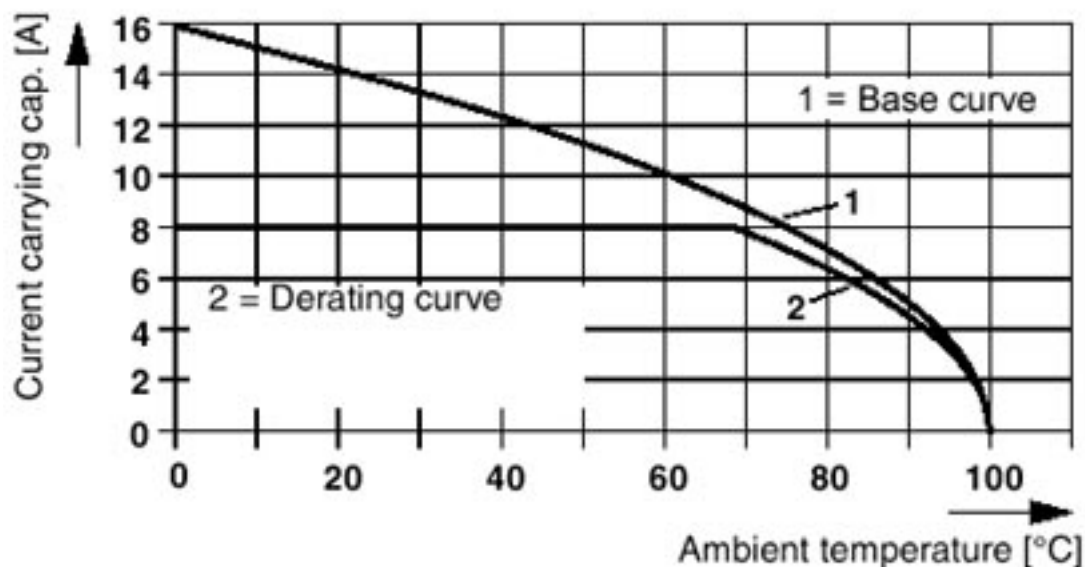


Size of the PCB: 1.6 ± 0.2 mm

Diagram

Plug:

ZEC 1,0/6-LPV-3,5 C1



Phoenix Contact 2016 © - all rights reserved
<http://www.phoenixcontact.com>

PHOENIX CONTACT GmbH & Co. KG
Flachmarktstr. 8
32825 Blomberg
Germany
Tel. +49 5235 300
Fax +49 5235 3 41200
<http://www.phoenixcontact.com>



Below is a list of articles with direct links to our shop Electric Automation Network where you can see:

- Quote per purchase volume in real time.
- Online documentation and datasheets of all products.
- Estimated delivery time enquiry in real time.
- Logistics systems for the shipment of materials almost anywhere in the world.
- Purchasing management, order record and tracking of shipments.

To access the product, [click on the green button.](#)

Product	Code	Reference	Product link
Printed circuit board connector, Nominal current: 8 A, Rated voltage (III/2): 200 V, Number of positions: 6, Pitch: 3.5 mm, Color: green, Contact surface: Tin, Mounting: PCB connector	1915699	ZEC 1,0/ 6-LPV-3,5 C1	Buy on EAN