

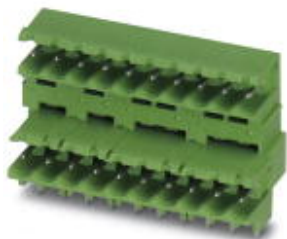


Automatización Eléctrica
Especialistas en Automatización

At the end of this document you will find links to products related to this catalog. You can go directly to our shop by clicking [HERE](#). [HERE](#)

Housing - MDSTBW 2,5/12-G-5,08 - 1842319

Please be informed that the data shown in this PDF Document is generated from our Online Catalog. Please find the complete data in the user's documentation. Our General Terms of Use for Downloads are valid (<http://phoenixcontact.com/download>)

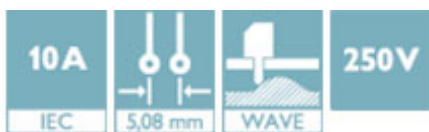


Header, Nominal current: 10 A, Rated voltage (III/2): 320 V, Number of positions: 12, Pitch: 5.08 mm, Color: green, Contact surface: Tin, Mounting: Wave soldering, The article can be aligned to create different nos. of positions! In combination with MVSTB or FKCV plug components, both an MVSTBW (or FKCVW) and an MVSTBR plug (or FKCVR) must be used. Combination with TMSTBP plug components is not possible!

The figure shows a 10-position version of the product

Why buy this product

- MDSTBW 2,5/...-G with stand-off
- Add-on ejectors for high-pos. connectors should be mounted to the left and right
- G1 types without offset levels, for flush installation on the front of devices



Key Commercial Data

| | |
|--------------|-----------------|
| Packing unit | 50 STK |
| GTIN | 4 017918 184117 |

Technical data

Dimensions

| | |
|--------------------------|----------|
| Length | 22.1 mm |
| Pitch | 5.08 mm |
| Dimension a | 55.88 mm |
| Constructional height | 23.7 mm |
| Length of the solder pin | 3.8 mm |
| Pin dimensions | 1 x 1 mm |
| Hole diameter | 1.4 mm |

General

| | |
|-----------------------------|------------------|
| Range of articles | MDSTBW 2,5/...-G |
| Insulating material group | III |
| Rated surge voltage (III/3) | 4 kV |
| Rated surge voltage (III/2) | 4 kV |

Housing - MDSTBW 2,5/12-G-5,08 - 1842319

Technical data

General

| | |
|----------------------------------|--------|
| Rated surge voltage (II/2) | 4 kV |
| Rated voltage (III/3) | 250 V |
| Rated voltage (III/2) | 320 V |
| Rated voltage (II/2) | 400 V |
| Connection in acc. with standard | EN-VDE |
| Nominal current I_N | 10 A |
| Maximum load current | 10 A |
| Insulating material | PBT |
| Color | green |
| Number of positions | 12 |

Standards and Regulations

| | |
|----------------------------------|--------|
| Connection in acc. with standard | EN-VDE |
| | CSA |

Classifications

eCl@ss

| | |
|------------|----------|
| eCl@ss 4.0 | 272607xx |
| eCl@ss 4.1 | 27260701 |
| eCl@ss 5.0 | 27260701 |
| eCl@ss 5.1 | 27260701 |
| eCl@ss 6.0 | 27260704 |
| eCl@ss 7.0 | 27440402 |
| eCl@ss 8.0 | 27440402 |
| eCl@ss 9.0 | 27440402 |

ETIM

| | |
|----------|----------|
| ETIM 3.0 | EC001121 |
| ETIM 4.0 | EC002637 |
| ETIM 5.0 | EC002637 |

UNSPSC

| | |
|---------------|----------|
| UNSPSC 6.01 | 30211810 |
| UNSPSC 7.0901 | 39121409 |
| UNSPSC 11 | 39121409 |
| UNSPSC 12.01 | 39121409 |
| UNSPSC 13.2 | 39121409 |

Approvals

Approvals

Housing - MDSTBW 2,5/12-G-5,08 - 1842319

Approvals

Approvals

CSA / VDE Gutachten mit Fertigungsüberwachung / IECEE CB Scheme / cULus Recognized

Ex Approvals

Approvals submitted

Approval details

| | | |
|--------------------|-------|-------|
| CSA | | |
| | B | D |
| Nominal current IN | 15 A | 15 A |
| Nominal voltage UN | 300 V | 300 V |

| | |
|---|-------|
| VDE Gutachten mit Fertigungsüberwachung | |
| Nominal current IN | 10 A |
| Nominal voltage UN | 250 V |

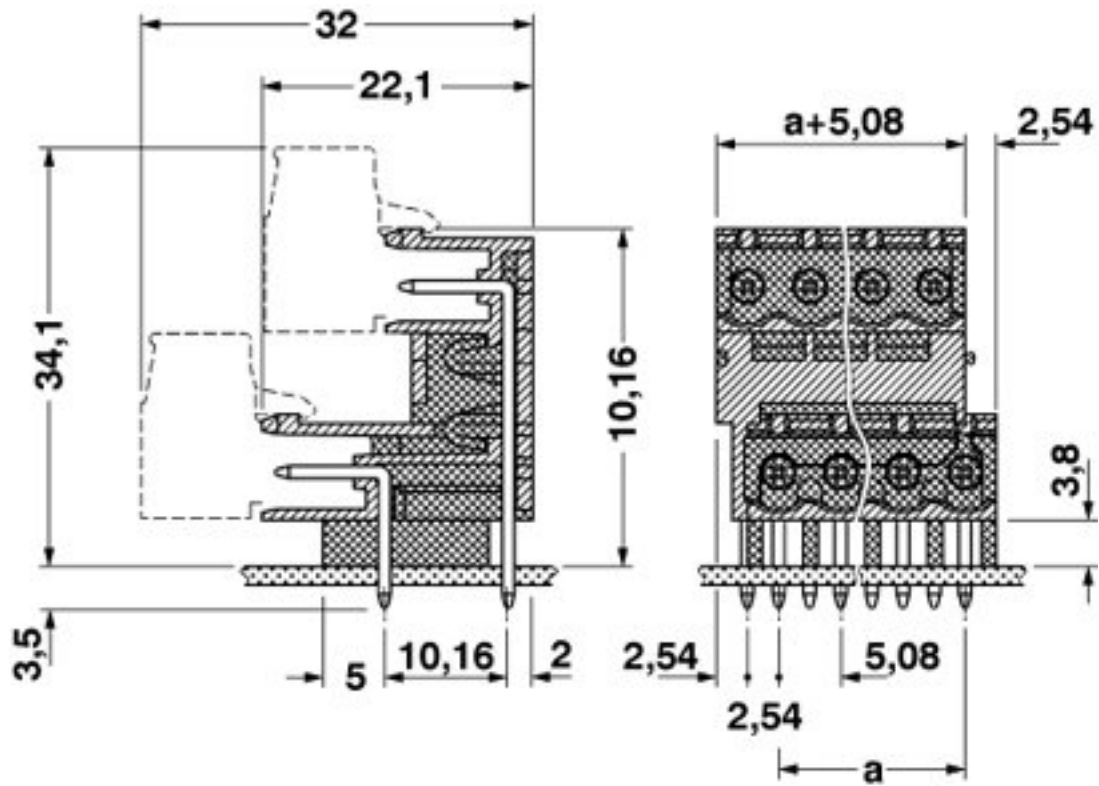
| | |
|--------------------|-------|
| IECEE CB Scheme | |
| Nominal current IN | 10 A |
| Nominal voltage UN | 250 V |

| | | |
|--------------------|-------|-------|
| cULus Recognized | | |
| | B | D |
| Nominal current IN | 15 A | 10 A |
| Nominal voltage UN | 300 V | 300 V |

Drawings

Housing - MDSTBW 2,5/12-G-5,08 - 1842319

Dimensional drawing



Phoenix Contact 2016 © - all rights reserved
<http://www.phoenixcontact.com>

PHOENIX CONTACT GmbH & Co. KG
Flachsmarktstr. 8
32825 Blomberg
Germany
Tel. +49 5235 300
Fax +49 5235 3 41200
<http://www.phoenixcontact.com>

Below is a list of articles with direct links to our shop Electric Automation Network where you can see:

- Quote per purchase volume in real time.
- Online documentation and datasheets of all products.
- Estimated delivery time enquiry in real time.
- Logistics systems for the shipment of materials almost anywhere in the world.
- Purchasing management, order record and tracking of shipments.

To access the product, [click on the green button.](#)

| Product | Code | Reference | Product link |
|--|---------|-----------------------------|----------------------------|
| Header, Nominal current: 10 A, Rated voltage (III/2): 320 V, Number of positions: 12, Pitch: 5.08 mm, Color: green, Contact surface: Tin, Mounting: Soldering, The article can be aligned to create different nos. of positions! In combination with MVSTB or FKCV plug components, both an MVSTBW (or FKCVW) and an MVSTBR plug (or FKCVR) must be used. Combination with TMSTBP plug components is not possible! | 1842319 | MDSTBW 2,5/12- G-5,08 | Buy on EAN |