



**Automatización Eléctrica**  
Especialistas en Automatización

At the end of this document you will find links to products related to this catalog. You can go directly to our shop by clicking [HERE](#). [HERE](#)

# Printed-circuit board connector - DMCV 1,5/ 9-G1F-3,5-LRP20THRR72 - 1818779

Please be informed that the data shown in this PDF Document is generated from our Online Catalog. Please find the complete data in the user's documentation. Our General Terms of Use for Downloads are valid (<http://phoenixcontact.com/download>)



Header, Nominal current: 8 A, Rated voltage (III/2): 160 V, Number of positions: 9, Pitch: 3.5 mm, Color: black, Contact surface: Tin, Mounting: THR soldering

The figure shows a 10-pos. version with 20 contacts



## Key Commercial Data

|                        |                     |
|------------------------|---------------------|
| Packing unit           | 220 STK             |
| Minimum order quantity | 220 STK             |
| GTIN                   | <br>4 046356 757881 |

## Technical data

### Dimensions

|                          |              |
|--------------------------|--------------|
| Length                   | 10.6 mm      |
| Pitch                    | 3.50 mm      |
| Dimension a              | 28 mm        |
| Constructional height    | 10 mm        |
| Height                   | 12 mm        |
| Length of the solder pin | 2 mm         |
| Pin dimensions           | 0,8 x 0,8 mm |
| Pin spacing              | 5.50 mm      |
| Hole diameter            | 1.4 mm       |

### General

|                             |                     |
|-----------------------------|---------------------|
| Range of articles           | DMCV 1,5/..-G1F-THR |
| Insulating material group   | IIIa                |
| Rated surge voltage (III/3) | 2.5 kV              |
| Rated surge voltage (III/2) | 2.5 kV              |

# Printed-circuit board connector - DMCV 1,5/ 9-G1F-3,5-LRP20THRR72 - 1818779

## Technical data

### General

|  |        |
|--|--------|
| Rated surge voltage (II/2)             | 2.5 kV |
| Rated voltage (III/3)                  | 160 V  |
| Rated voltage (III/2)                  | 160 V  |
| Rated voltage (II/2)                   | 250 V  |
| Connection in acc. with standard       | EN-VDE |
| Nominal current I <sub>N</sub>         | 8 A    |
| Maximum load current                   | 8 A    |
| Insulating material                    | LCP    |
| Flammability rating according to UL 94 | V0     |
| Color                                  | black  |
| Number of positions                    | 9      |

### Standards and Regulations

|  |        |
|--|--------|
| Connection in acc. with standard       | EN-VDE |
|  | CUL    |
| Flammability rating according to UL 94 | V0     |

## Classifications

### eCl@ss

|            |          |
|------------|----------|
| eCl@ss 4.0 | 272607xx |
| eCl@ss 4.1 | 27260701 |
| eCl@ss 5.0 | 27260701 |
| eCl@ss 5.1 | 27260701 |
| eCl@ss 6.0 | 27260704 |
| eCl@ss 7.0 | 27440402 |
| eCl@ss 8.0 | 27440402 |
| eCl@ss 9.0 | 27440402 |

### ETIM

|          |          |
|----------|----------|
| ETIM 3.0 | EC001121 |
| ETIM 4.0 | EC002637 |
| ETIM 5.0 | EC002637 |

### UNSPSC

|               |          |
|---------------|----------|
| UNSPSC 6.01   | 30211810 |
| UNSPSC 7.0901 | 39121409 |
| UNSPSC 11     | 39121409 |
| UNSPSC 12.01  | 39121409 |
| UNSPSC 13.2   | 39121409 |

# Printed-circuit board connector - DMCV 1,5/ 9-G1F-3,5-LRP20THRR72 - 1818779

## Approvals

### Approvals

---

#### Approvals

VDE Gutachten mit Fertigungsüberwachung / IECCE CB Scheme / cULus Recognized

---


#### Ex Approvals


---

#### Approvals submitted

---

## Approval details

|   |       |
|---|-------|
| VDE Gutachten mit Fertigungsüberwachung  |       |
| Nominal current IN  | 8 A   |
| Nominal voltage UN  | 160 V |

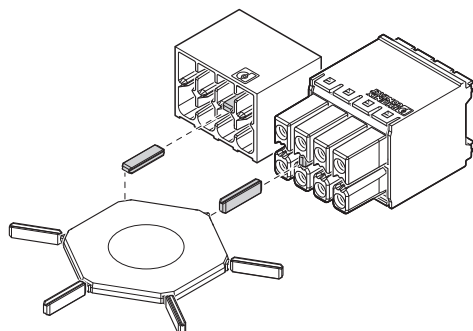
|   |       |
|---|-------|
| IECEE CB Scheme  |       |
| Nominal current IN  | 8 A   |
| Nominal voltage UN  | 160 V |

|                    |       |      |
|--------------------|-------|------|
| cULus Recognized   |       |      |
|                    | B     | C    |
| Nominal current IN | 8 A   | 8 A  |
| Nominal voltage UN | 150 V | 50 V |

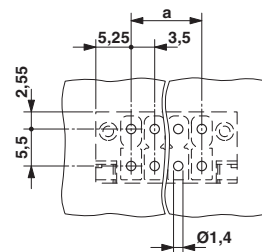
## Drawings

# Printed-circuit board connector - DMCV 1,5/ 9-G1F-3,5-LRP20THRR72 - 1818779

Schematic diagram

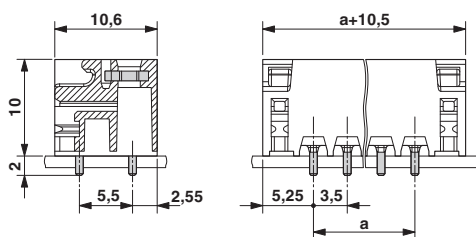


Drilling diagram

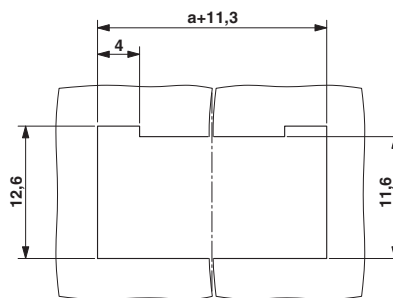


Use of the CP-DMC... coding profile

Dimensional drawing



Schematic diagram



Panel cutout

Phoenix Contact 2016 © - all rights reserved  
<http://www.phoenixcontact.com>

PHOENIX CONTACT GmbH & Co. KG  
Flachsmarktstr. 8  
32825 Blomberg  
Germany  
Tel. +49 5235 300  
Fax +49 5235 3 41200  
<http://www.phoenixcontact.com>

Below is a list of articles with direct links to our shop Electric Automation Network where you can see:

- Quote per purchase volume in real time.
- Online documentation and datasheets of all products.
- Estimated delivery time enquiry in real time.
- Logistics systems for the shipment of materials almost anywhere in the world.
- Purchasing management, order record and tracking of shipments.

To access the product, [click on the green button.](#)

| <b>Product</b>  | <b>Code</b> | <b>Reference</b>               | <b>Product link</b>        |
|---|-------------|--------------------------------|----------------------------|
| Header, Nominal current: 8 A, Rated voltage (III/2): 160 V, Number of positions: 9, Pitch: 3.5 mm, Color: black, Contact surface: Tin, Mounting: Taped SMD/THT/THR components | 1818779     | DMCV 1,5/ 9-G1F-3,5-LRP20THRR7 | <a href="#">Buy on EAN</a> |