



Automatización Eléctrica
Especialistas en Automatización

At the end of this document you will find links to products related to this catalog. You can go directly to our shop by clicking [HERE](#). [HERE](#)


PV-DB S20-2,5/0,8-2D - 1811239

Please be informed that the data shown in this PDF Document is generated from our Online Catalog. Please find the complete data in the user's documentation. Our General Terms of Use for Downloads are valid (<http://phoenixcontact.com/download>)



Photovoltaics diode box, Nominal current: 5 A, Nom. voltage: 1000 V, Width: 38 mm, Connection type: open cable end, Color: black

Key Commercial Data

Packing unit	10 STK
GTIN	 4 046356 712330

Technical data

Dimensions

Fixed cable length	0.8 m
External cable diameter	5.2 mm ±0.15 mm
	5.05 mm ... 5.35 mm

Ambient conditions

Ambient temperature (operation)	-40 °C ... 85 °C
Ambient temperature (assembly)	-25 °C ... 55 °C

General

Pull-out force of cable >= disconnect force	>= 80 N
Rated voltage	1000 V
Nominal cross section	2.5 mm ²
Protection class	II

Material

Color	black
Insulating material	PA
Contact material	Cu alloy
Flammability rating according to UL 94	V0

Connection data

Connection method	open cable end
Connection capacity	2.5 mm ²
Cable type	PV1-F cables

PV-DB S20-2,5/0,8-2D - 1811239

Technical data

Standards and Regulations

Flammability rating according to UL 94	V0
--	----

Classifications

eCl@ss

eCl@ss 4.0	272607xx
eCl@ss 4.1	27260701
eCl@ss 5.0	27260701
eCl@ss 5.1	27141190
eCl@ss 6.0	27260704
eCl@ss 7.0	27440402
eCl@ss 8.0	27440102

ETIM

ETIM 3.0	EC001121
ETIM 4.0	EC001753
ETIM 5.0	EC002641

UNSPSC

UNSPSC 6.01	30211810
UNSPSC 7.0901	39121409
UNSPSC 11	39121409
UNSPSC 12.01	39121409
UNSPSC 13.2	39121409

Approvals

Approvals

Approvals

VDE Gutachten mit Fertigungsüberwachung


Ex Approvals

Approvals submitted

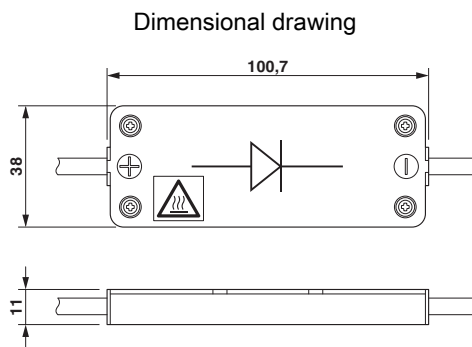
Approval details

PV-DB S20-2,5/0,8-2D - 1811239

Approvals

VDE Gutachten mit Fertigungsüberwachung 	
Nominal current I_N	5 A
Nominal voltage U_N	1000 V

Drawings



Phoenix Contact 2016 © - all rights reserved
<http://www.phoenixcontact.com>

PHOENIX CONTACT GmbH & Co. KG
Flachsmarktstr. 8
32825 Blomberg
Germany
Tel. +49 5235 300
Fax +49 5235 3 41200
<http://www.phoenixcontact.com>



Below is a list of articles with direct links to our shop Electric Automation Network where you can see:

- Quote per purchase volume in real time.
- Online documentation and datasheets of all products.
- Estimated delivery time enquiry in real time.
- Logistics systems for the shipment of materials almost anywhere in the world.
- Purchasing management, order record and tracking of shipments.

To access the product, [click on the green button.](#)

Product	Code	Reference	Product link
Photovoltaics diode box, Nominal current: 5 A, Nom. voltage: 1000 V, Width: 38 mm, Connection type: open cable end, Color: black	1811239	PV-DB S20-2,5/0,8-2D	Buy on EAN