



Automatización Eléctrica
Especialistas en Automatización

At the end of this document you will find links to products related to this catalog. You can go directly to our shop by clicking [HERE](#). [HERE](#)

Bus system connector - SACC-M12MRD-4Q SH - 1553624

Please be informed that the data shown in this PDF Document is generated from our Online Catalog. Please find the complete data in the user's documentation. Our General Terms of Use for Downloads are valid (<http://phoenixcontact.com/download>)

Bus system connector, Ethernet CAT5 (100 Mbps), 4-position, shielded, Plug angled M12, D-coded, Insulation displacement connection, Knurl material: Nickel-plated brass, External cable diameter 4 mm ... 8 mm



Why buy this product

- Safe use in the field, thanks to a high degree of protection
- Flexible: connectors for on-site assembly
- Insulation displacement connection: innovative and time-saving assembly without stripping the single wire
- Reliable signal transmission - 360° shielding in environments with electromagnetic interference

Ethernet

Key Commercial Data

Packing unit	1 STK
GTIN	 4 046356 158794

Technical data

Dimensions

External diameter	4 mm ... 8 mm
Stripping length of the sheath	35 mm

Ambient conditions

Ambient temperature (operation)	-40 °C ... 85 °C
Degree of protection	IP67

General

Rated current at 40°C	1.75 A
Rated voltage	60 V DC
	48 V AC
Number of positions	4
Insulation resistance	≥ 100 MΩ
Coding	D - data
Standards/regulations	M12 connector IEC 61076-2-101
Signal type/category	Ethernet CAT5 (IEC 11801), 100 Mbps

Bus system connector - SACC-M12MRD-4Q SH - 1553624

Technical data

General

Status display	No
Overvoltage category	II
Degree of pollution	3
Connection method	Insulation displacement connection
Conductor cross section	0.14 mm ² ... 0.34 mm ²
Conductor cross section AWG	26 ... 22
Wire diameter incl. insulation	≤ 1.6 mm
Frequency of connections between conductors of the same cross section	≤ 10
Insertion/withdrawal cycles	≥ 100
Torque	0.4 Nm (M12 knurl)
	0.8 Nm (Connector with coupling sleeve)
	3 Nm (Pressure nut with coupling sleeve)
Assembly instructions	The connector pin assignment can be rotated 45° to the cable outlet

Material

Flammability rating according to UL 94	V0
Contact material	CuSn
Contact surface material	Ni/Au
Contact carrier material	PA 66
Material of grip body	Zinc die-cast, nickel-plated
Material, knurls	Nickel-plated brass
Sealing material	Neoprene

Standards and Regulations

Standard designation	M12 connector
Standards/regulations	IEC 61076-2-101
Flammability rating according to UL 94	V0

Classifications

eCl@ss

eCl@ss 4.0	27250313
eCl@ss 4.1	27250313
eCl@ss 5.0	27143423
eCl@ss 5.1	27143423
eCl@ss 6.0	27143423
eCl@ss 7.0	27449001
eCl@ss 8.0	27440104
eCl@ss 9.0	27440102

Bus system connector - SACC-M12MRD-4Q SH - 1553624

Classifications

ETIM

ETIM 3.0	EC002062
ETIM 4.0	EC002062
ETIM 5.0	EC002062

UNSPSC

UNSPSC 6.01	31251501
UNSPSC 7.0901	31251501
UNSPSC 11	31251501
UNSPSC 12.01	31251501
UNSPSC 13.2	31251501

Approvals

Approvals

Approvals

EAC / EAC

Ex Approvals

Approvals submitted

Approval details

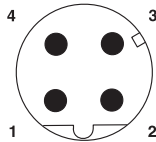
EAC

EAC

Drawings

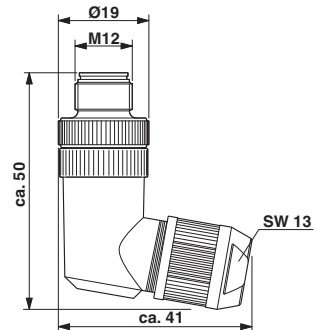
Bus system connector - SACC-M12MRD-4Q SH - 1553624

Schematic diagram



Pin assignment M12 socket, 4-pos., D-coded,
female side

Dimensional drawing



M12 x 1 male plug, angled

Phoenix Contact 2016 © - all rights reserved
<http://www.phoenixcontact.com>

PHOENIX CONTACT GmbH & Co. KG
Flachsmarktstr. 8
32825 Blomberg
Germany
Tel. +49 5235 300
Fax +49 5235 3 41200
<http://www.phoenixcontact.com>



Below is a list of articles with direct links to our shop Electric Automation Network where you can see:

- Quote per purchase volume in real time.
- Online documentation and datasheets of all products.
- Estimated delivery time enquiry in real time.
- Logistics systems for the shipment of materials almost anywhere in the world.
- Purchasing management, order record and tracking of shipments.

To access the product, [click on the green button.](#)

Product	Code	Reference	Product link
Bus system connector, Ethernet CAT5 (100 Mbps), 4-position, shielded, Plug angled M12, D-coded, Insulation displacement connection, Knurl material: Nickel-plated brass, External cable diameter 4 mm ... 8 mm	1553624	SACC-M12MRD-4Q SH	Buy on EAN