



Automatización Eléctrica
Especialistas en Automatización

At the end of this document you will find links to products related to this catalog. You can go directly to our shop by clicking [HERE](#). [HERE](#)

Sensor/actuator box - SACB-4/ 8-L-C NPN SCO - 1537103

Please be informed that the data shown in this PDF Document is generated from our Online Catalog. Please find the complete data in the user's documentation. Our General Terms of Use for Downloads are valid (<http://phoenixcontact.com/download>)



Sensor/actuator box, Application: Standard, Connection method: M12-SPEEDCON-socket Metal, Number of slots: 4, Number of positions: 5, Coding: A - standard, Slot assignment: Double, Status indication: Yes, npn; Master cable connection: Pluggable screw connection 180°, Shielding: No

Why buy this product

- Safety in the field, thanks to molded housing and high degree of protection
- Flexible, distributed bundling of signals in one master cable
- Convenient: increased machine availability thanks to quick and easy diagnostics
- Save space: distributor box with double occupancy for two sensors in one slot
- Save time, thanks to installation with SPEEDCON fast locking system
- Flexible: distributor box with connector hood for on-site assembly



Key Commercial Data

| | |
|------------------------|---------------------|
| Packing unit | 1 STK |
| Minimum order quantity | 25 STK |
| GTIN | 4 046356 073783 |

Technical data

General

| | |
|--|-----------------------------------|
| Rated voltage | 24 V DC |
| Max. operating voltage U_{max} | 30 V DC |
| Current carrying capacity per I/O signal | 2 A |
| Current carrying capacity per slot | 4 A |
| Total rated current | 10 A |
| | 2x 8 A (For electrical isolation) |
| Number of positions | 5 |
| Number of slots | 4 |
| Flammability rating according to UL 94 | V0 |
| Sensor/actuator connection system | M12-SPEEDCON-socket |

Sensor/actuator box - SACB-4/ 8-L-C NPN SCO - 1537103

Technical data

Ambient conditions

| | |
|---------------------------------|------------------|
| Degree of protection | IP65 |
| | IP67 |
| | IP69K |
| Ambient temperature (operation) | -30 °C ... 80 °C |

Local diagnostics function

| | |
|-------------------|-------------------------------------|
| Local diagnostics | Supply voltage per module Green LED |
| | Status display I/O Yellow LED |

Master cable data/connection data

| | |
|--|----------------------------|
| Connection method | Pluggable screw connection |
| Conductor cross section min. (signal) | 0.14 mm ² |
| Conductor cross section max. (signal) | 1.5 mm ² |
| Conductor cross section AWG min. (signal) | 26 |
| Conductor cross section AWG max. (signal) | 16 |
| Stripping length (signal) | 7 mm |
| Conductor cross section min. (energy) | 0.14 mm ² |
| Conductor cross section max. (energy) | 1.5 mm ² |
| Conductor cross section AWG min. (energy) | 26 |
| Conductor cross section AWG max. (energy) | 16 |
| External cable diameter min. | 7 mm |
| External cable diameter max. | 12 mm |
| Stripping length | 50 mm (Master cable) |
| Tightening torque, cover screw | 0.35 Nm |
| Tightening torque, union nut | 2.5 Nm |
| Tightening torque slot sensor/actuator cable | 0.4 Nm |
| Tightening torque of mounting screw for fixing the housing | 0.5 Nm |

Insulation material

| | |
|--|---------------|
| Housing material | PBT |
| Material of the moulding mass | PUR |
| Contact material | Cu alloy |
| Contact surface material | Gold-plated |
| Contact carrier material | PA |
| Material of contact, master cable side | CU alloy |
| Material of contact surface, master cable side | Gold-plated |
| Material of the contact carrier on the master cable side | PA 66 V0 |
| Material of threaded sleeve | Zinc die-cast |
| Material of threaded sleeve surface | Nickel-plated |
| O-ring material | NBR |

Pin assignment

| | |
|--|-------------------|
| Slot/position = Wire color or connection | 1 / 4 (A) = 1 / 4 |
|--|-------------------|

Sensor/actuator box - SACB-4/ 8-L-C NPN SCO - 1537103

Technical data

Pin assignment

| | |
|--|-----------------------------------|
| | 1 / 2 (B) = 1 / 2 |
| | 2 / 4 (A) = 2 / 4 |
| | 2 / 2 (B) = 2 / 2 |
| | 3 / 4 (A) = 3 / 4 |
| | 3 / 2 (B) = 3 / 2 |
| | 4 / 4 (A) = 4 / 4 |
| | 4 / 2 (B) = 4 / 2 |
| | 1-4 / 1 (+ 24 V) = U _N |
| | 1-4 / 3 (0 V) = 0 V |
| | 1-4 / 5 (PE) = PE |

Standards and Regulations

| | |
|--|-----------------|
| Standard designation | M12 connector |
| Standards/regulations | IEC 61076-2-101 |
| Flammability rating according to UL 94 | V0 |

Classifications

eCl@ss

| | |
|------------|----------|
| eCl@ss 4.0 | 27140815 |
| eCl@ss 4.1 | 27140815 |
| eCl@ss 5.0 | 27143423 |
| eCl@ss 5.1 | 27143423 |
| eCl@ss 6.0 | 27143423 |
| eCl@ss 7.0 | 27449001 |
| eCl@ss 8.0 | 27279219 |

ETIM

| | |
|----------|----------|
| ETIM 2.0 | EC000200 |
| ETIM 3.0 | EC001856 |
| ETIM 4.0 | EC002585 |
| ETIM 5.0 | EC002585 |

UNSPSC

| | |
|---------------|----------|
| UNSPSC 6.01 | 31261501 |
| UNSPSC 7.0901 | 31261501 |
| UNSPSC 11 | 31261501 |
| UNSPSC 12.01 | 31261501 |
| UNSPSC 13.2 | 31261501 |

Sensor/actuator box - SACB-4/ 8-L-C NPN SCO - 1537103

Approvals

Approvals

Approvals

EAC

Ex Approvals

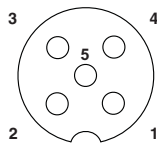
Approvals submitted

Approval details

| |
|-----|
| EAC |
|-----|

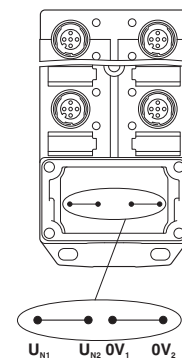
Drawings

Schematic diagram



M12 slot, socket, 5-pos.

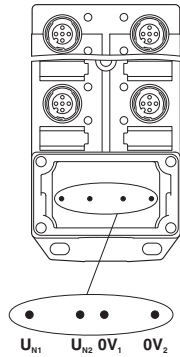
Schematic diagram



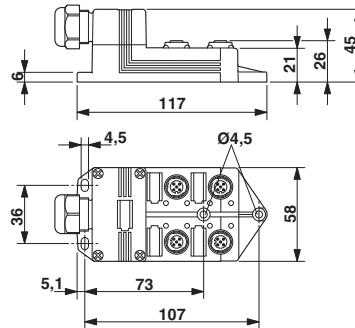
Potential U_{N1} and U_{N2} bridged. Potential assignment: $U_{N1} = U_{N2} =$ slots 1,2,3,4.

Sensor/actuator box - SACB-4/ 8-L-C NPN SCO - 1537103

Schematic diagram

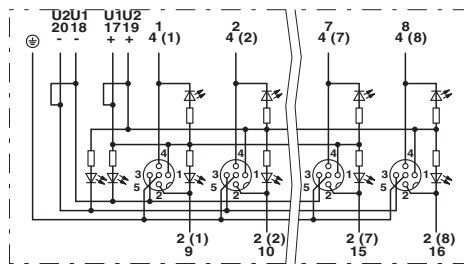


Dimensional drawing



Electrically isolated. Potential assignment: U_{N1} = slots 1,3 and U_{N2} = slots 2,4.

Circuit diagram



Phoenix Contact 2016 © - all rights reserved
<http://www.phoenixcontact.com>

PHOENIX CONTACT GmbH & Co. KG
Flachsmarktstr. 8
32825 Blomberg
Germany
Tel. +49 5235 300
Fax +49 5235 3 41200
<http://www.phoenixcontact.com>



Below is a list of articles with direct links to our shop Electric Automation Network where you can see:

- Quote per purchase volume in real time.
- Online documentation and datasheets of all products.
- Estimated delivery time enquiry in real time.
- Logistics systems for the shipment of materials almost anywhere in the world.
- Purchasing management, order record and tracking of shipments.

To access the product, [click on the green button.](#)

| Product | Code | Reference | Product link |
|---|---------|-----------------------|----------------------------|
| Sensor/actuator box, Application: Standard, Connection method: M12-SPEEDCON-socket Metal, Number of slots: 4, Number of positions: 5, Coding: A - standard, Slot assignment: Double, Status indication: Yes, npn; Master cable connection: Pluggable screw connection 180°, Shielding: No | 1537103 | SACB-4/ 8-L-C NPN SCO | Buy on EAN |