



**Automatización Eléctrica**  
Especialistas en Automatización

At the end of this document you will find links to products related to this catalog. You can go directly to our shop by clicking [HERE](#). [HERE](#)

# Valve connectors - SACC-V-5CON-PG9/AD-2L 24V - 1527948

Please be informed that the data shown in this PDF Document is generated from our Online Catalog. Please find the complete data in the user's documentation. Our General Terms of Use for Downloads are valid (<http://phoenixcontact.com/download>)



Valve connector, 5-pos., type A, for pressure switch, 2 LEDs, without protective circuit, screw connection, cable screw connection Pg9

## Key Commercial Data

Packing unit	1 STK
GTIN	 4 017918 980979

## Technical data

### Dimensions

External diameter	6 mm ... 8 mm
-------------------	---------------

### Ambient conditions

Ambient temperature (operation)	-25 °C ... 85 °C (valve plug)
Degree of protection	IP65

### General

Rated current at 40°C	4 A
Rated voltage	24 V
Number of positions	5
Insulation resistance	≥ 100 MΩ
Standards/regulations	Valve connector EN 175301-803
Status display	2 LEDs
Protective circuit/component	Unwired
Overvoltage category	II
Degree of pollution	3
Connection method	Screw connection
Conductor cross section	0.34 mm² ... 1.5 mm²
Conductor cross section AWG	22 ... 16

### Material

Flammability rating according to UL 94	HB
Valve plug contact material	CuSn
Valve plug contact surface material	Ni

# Valve connectors - SACC-V-5CON-PG9/AD-2L 24V - 1527948

## Technical data

### Material

Valve plug contact insert material	PA6
Material housing valve plug	PA6
Sealing material	NBR

### Standards and Regulations

Standard designation	Valve connector
Standards/regulations	EN 175301-803
Flammability rating according to UL 94	HB

## Classifications

### eCl@ss

eCl@ss 4.0	27140815
eCl@ss 4.1	27140815
eCl@ss 5.0	27143423
eCl@ss 5.1	27143423
eCl@ss 6.0	27143423
eCl@ss 7.0	27449001
eCl@ss 8.0	27440104
eCl@ss 9.0	27440105

### ETIM

ETIM 2.0	EC001121
ETIM 3.0	EC002062
ETIM 4.0	EC002062
ETIM 5.0	EC002062

### UNSPSC

UNSPSC 6.01	31251501
UNSPSC 7.0901	31251501
UNSPSC 11	31251501
UNSPSC 12.01	31251501
UNSPSC 13.2	31251501

## Approvals

### Approvals

---

### Approvals

### EAC

---

# Valve connectors - SACC-V-5CON-PG9/AD-2L 24V - 1527948

## Approvals

Ex Approvals

---

Approvals submitted

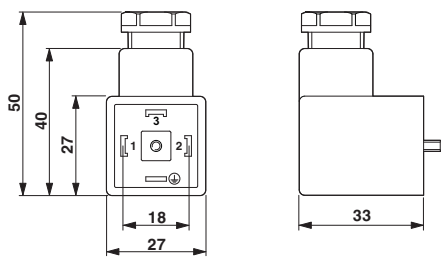
---

## Approval details

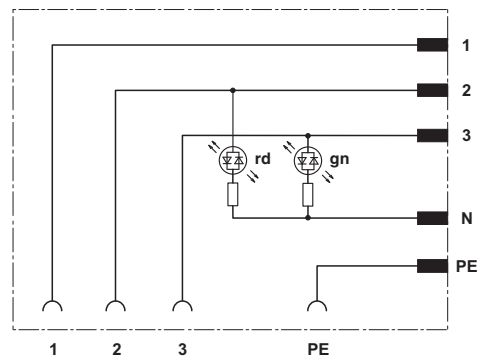
EAC

## Drawings

Dimensional drawing



Circuit diagram



---

Phoenix Contact 2016 © - all rights reserved  
<http://www.phoenixcontact.com>

PHOENIX CONTACT GmbH & Co. KG  
Flachsmarktstr. 8  
32825 Blomberg  
Germany  
Tel. +49 5235 300  
Fax +49 5235 3 41200  
<http://www.phoenixcontact.com>

Below is a list of articles with direct links to our shop Electric Automation Network where you can see:

- Quote per purchase volume in real time.
- Online documentation and datasheets of all products.
- Estimated delivery time enquiry in real time.
- Logistics systems for the shipment of materials almost anywhere in the world.
- Purchasing management, order record and tracking of shipments.

To access the product, [click on the green button.](#)

<b>Product</b>	<b>Code</b>	<b>Reference</b>	<b>Product link</b>
Valve connector, 5-pos., type A, for pressure switch, 2 LEDs, without protective circuit, screw connection, cable screw connection Pg9	1527948	SACC-V-5CON-PG9/AD-2L 24V	<a href="#">Buy on EAN</a>