



Automatización Eléctrica
Especialistas en Automatización

At the end of this document you will find links to products related to this catalog. You can go directly to our shop by clicking [HERE](#). [HERE](#)

Double valve connector cable - SAC- 3,0/0,1-116/2XA-1L-Z - 1457995

Please be informed that the data shown in this PDF Document is generated from our Online Catalog. Please find the complete data in the user's documentation. Our General Terms of Use for Downloads are valid (<http://phoenixcontact.com/download>)



Double valve connector cable, 4-position, PUR/PVC, black RAL 9005, free cable end, on Valve connector A, with 1 LED, connected with Z diode and Valve connector A, with 1 LED, connected with Z diode, Cable length: 3 m, Valve connector distance: 0.1 m

Why buy this product

- Easy and safe: 100% electrically tested plug-in components
- Robust valve connector with Zener diode as protective circuit
- Efficient: control valves with two connections via a single connecting cable
- Convenient: increased machine availability thanks to quick and easy diagnostics

Key Commercial Data

| | |
|--------------|---------------------|
| Packing unit | 1 STK |
| GTIN | 4 046356 638418 |

Technical data

Dimensions

| | |
|--------------------------|-------|
| Length of cable | 3 m |
| Valve connector distance | 0.1 m |

Ambient conditions

| | |
|---------------------------------|-------------------------------|
| Ambient temperature (operation) | -25 °C ... 85 °C (valve plug) |
| Degree of protection | IP65 |
| | IP67 |

General

| | |
|------------------------------|-------------------------------|
| Rated current at 40°C | 4 A |
| Rated voltage | 24 V AC/DC |
| Number of positions | 4 |
| Insulation resistance | ≥ 100 MΩ |
| Standards/regulations | Valve connector EN 175301-803 |
| Status display | 1 LED |
| Protective circuit/component | Z diode |
| Overvoltage category | II |
| Degree of pollution | 3 |

Double valve connector cable - SAC- 3,0/0,1-116/2XA-1L-Z - 1457995

Technical data

General

| | |
|-----------------------------|--------------------------|
| Insertion/withdrawal cycles | 50 |
| Torque | 0.6 Nm (Valve connector) |

Material

| | |
|--|-------------------|
| Flammability rating according to UL 94 | HB |
| Valve plug contact material | CuSn |
| Valve plug contact surface material | Sn |
| Valve plug contact insert material | PA 66 |
| Material housing valve plug | TPU |
| Sealing material | TPU (Seal molded) |

Standards and Regulations

| | |
|--|-----------------|
| Standard designation | Valve connector |
| Standards/regulations | EN 175301-803 |
| Flammability rating according to UL 94 | HB |

Cable

| | |
|---|--|
| Cable type | PUR/PVC, 0.75 mm ² , black |
| Cable type (abbreviation) | 116 |
| Cable abbreviation | LiYY11Y-HF |
| UL AWM style | 20549 |
| Conductor cross section | 4x 0.75 mm ² |
| AWG signal line | 18 |
| Conductor structure signal line | 24x 0.20 mm |
| Core diameter including insulation | 1.7 mm ±0.05 mm |
| Wire colors | Black 1, black 2, black 3, green/yellow |
| Overall twist | 4 wires, twisted |
| External sheath, color | black |
| External cable diameter D | 6.3 mm ±0.2 mm |
| Smallest bending radius, fixed installation | 63 mm |
| Outer sheath, material | PUR |
| Material, inner sheath | PVC |
| Material conductor insulation | PVC |
| Conductor material | Bare Cu litz wires |
| Insulation resistance | ≥ 20 MΩ*km |
| Conductor resistance | 26 Ω/km (at 20 °C) |
| Nominal voltage, cable | 300 V |
| Test voltage, cable | 1200 V |
| Flame resistance | According to DIN VDE 0482 |
| | According to DIN EN 50265-2-1 |
| | in acc. with UL FT-2 |
| Ambient temperature (operation) | -40 °C ... 80 °C (cable, fixed installation) |

Double valve connector cable - SAC- 3,0/0,1-116/2XA-1L-Z - 1457995

Technical data

Cable

| | |
|--|--|
| | -5 °C ... 80 °C (cable, flexible installation) |
|--|--|

Classifications

eCl@ss

| | |
|------------|----------|
| eCl@ss 4.0 | 27060306 |
| eCl@ss 4.1 | 27060306 |
| eCl@ss 5.0 | 27061801 |
| eCl@ss 5.1 | 27061801 |
| eCl@ss 6.0 | 27061801 |
| eCl@ss 7.0 | 27061801 |
| eCl@ss 8.0 | 27279218 |

ETIM

| | |
|----------|----------|
| ETIM 4.0 | EC001855 |
| ETIM 5.0 | EC001855 |

UNSPSC

| | |
|---------------|----------|
| UNSPSC 6.01 | 31251501 |
| UNSPSC 7.0901 | 31251501 |
| UNSPSC 11 | 31251501 |
| UNSPSC 12.01 | 31251501 |
| UNSPSC 13.2 | 31251501 |

Approvals

Approvals

Approvals

CSA / CSAus / cCSAus

Ex Approvals

Approvals submitted

Approval details

Double valve connector cable - SAC- 3,0/0,1-116/2XA-1L-Z - 1457995

Approvals

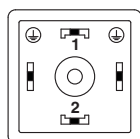
| | |
|--------------------------------|------|
| CSA | |
| Nominal current I _N | 4 A |
| Nominal voltage U _N | 24 V |

| | |
|--------------------------------|------|
| CSAus | |
| Nominal current I _N | 4 A |
| Nominal voltage U _N | 24 V |

| | |
|--------|--|
| cCSAus | |
|--------|--|

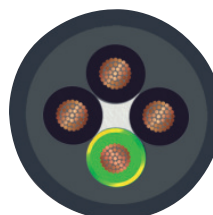
Drawings

Schematic diagram



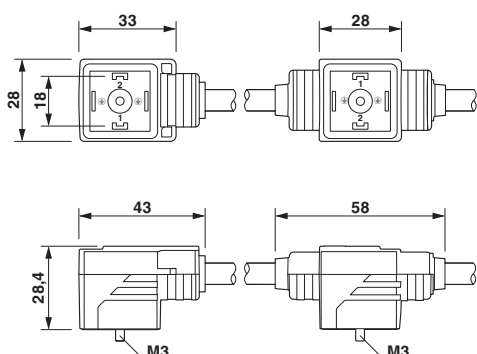
Valve connector pin assignment, type A

Cable cross section

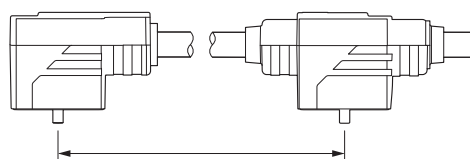


PUR/PVC black [116]

Dimensional drawing



Dimensional drawing

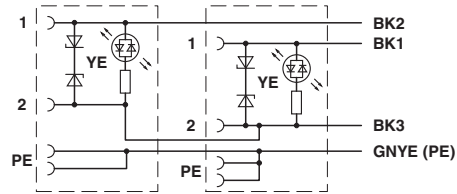


Valve connector spacing

Double valve connector, 2x type A

Double valve connector cable - SAC- 3,0/0,1-116/2XA-1L-Z - 1457995

Circuit diagram



Contact assignment of the double-valve connector

Phoenix Contact 2016 © - all rights reserved
<http://www.phoenixcontact.com>

PHOENIX CONTACT GmbH & Co. KG
Flachsmarktstr. 8
32825 Blomberg
Germany
Tel. +49 5235 300
Fax +49 5235 3 41200
<http://www.phoenixcontact.com>

Below is a list of articles with direct links to our shop Electric Automation Network where you can see:

- Quote per purchase volume in real time.
- Online documentation and datasheets of all products.
- Estimated delivery time enquiry in real time.
- Logistics systems for the shipment of materials almost anywhere in the world.
- Purchasing management, order record and tracking of shipments.

To access the product, [click on the green button.](#)

| Product | Code | Reference | Product link |
|---|-------------|--------------------------|----------------------------|
| Double valve connector cable, 4-position, PUR/PVC, black RAL 9005, free cable end, on Valve connector A, with 1 LED, connected with Z diode and Valve connector A, with 1 LED, connected with Z diode, Cable length: 3 m, Valve connector distance: 0.1 m | 1457995 | SAC-3,0/0,1-116/2XA-1L-Z | Buy on EAN |