



Automatización Eléctrica
Especialistas en Automatización

At the end of this document you will find links to products related to this catalog. You can go directly to our shop by clicking [HERE](#). [HERE](#)

Housing screw connection - SACC-M12 NUT PRESS - 1437889

Please be informed that the data shown in this PDF Document is generated from our Online Catalog. Please find the complete data in the user's documentation. Our General Terms of Use for Downloads are valid (<http://phoenixcontact.com/download>)



Housing screw connection for two-piece M12 connectors for the reflow soldering process.

Key Commercial Data

| | |
|--------------|---------------------|
| Packing unit | 10 STK |
| GTIN | 4 046356 457552 |

Technical data

Ambient conditions

| | |
|---------------------------------|---|
| Ambient temperature (operation) | -25 °C ... 85 °C (Plug / socket) |
| | -40 °C ... 85 °C (without mechanical actuation) |
| Degree of protection | IP67 |

General

| | |
|-----------------------|-------------------------------|
| Standards/regulations | M12 connector IEC 61076-2-101 |
| Mounting type | M12 x 1 |

Material

| | |
|------------------|----------------------|
| Material | CuZn (nickel-plated) |
| Sealing material | EPDM (O-ring) |

Standards and Regulations

| | |
|-----------------------|-----------------|
| Standard designation | M12 connector |
| Standards/regulations | IEC 61076-2-101 |

Classifications

eCl@ss

| | |
|------------|----------|
| eCl@ss 4.0 | 27250313 |
| eCl@ss 4.1 | 27250313 |
| eCl@ss 5.0 | 27143423 |
| eCl@ss 5.1 | 27143423 |
| eCl@ss 6.0 | 27143423 |

Housing screw connection - SACC-M12 NUT PRESS - 1437889

Classifications

eCl@ss

| | |
|------------|----------|
| eCl@ss 7.0 | 27449001 |
| eCl@ss 8.0 | 27440103 |

ETIM

| | |
|----------|----------|
| ETIM 3.0 | EC002061 |
| ETIM 4.0 | EC002061 |
| ETIM 5.0 | EC002061 |

UNSPSC

| | |
|---------------|----------|
| UNSPSC 6.01 | 31251501 |
| UNSPSC 7.0901 | 31251501 |
| UNSPSC 11 | 31251501 |
| UNSPSC 12.01 | 31251501 |
| UNSPSC 13.2 | 31251501 |

Approvals

Approvals

Approvals

EAC

Ex Approvals

Approvals submitted

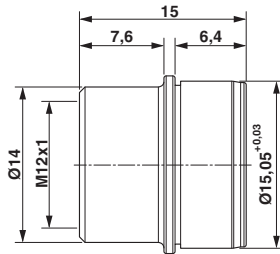
Approval details

| |
|-----|
| EAC |
|-----|

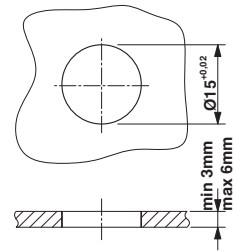
Drawings

Housing screw connection - SACC-M12 NUT PRESS - 1437889

Dimensional drawing

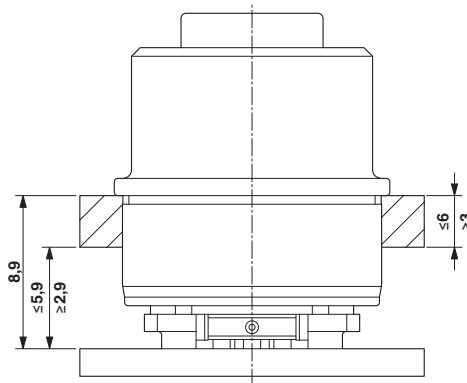


Dimensional drawing



Housing bore holes

Dimensional drawing





Below is a list of articles with direct links to our shop Electric Automation Network where you can see:

- Quote per purchase volume in real time.
- Online documentation and datasheets of all products.
- Estimated delivery time enquiry in real time.
- Logistics systems for the shipment of materials almost anywhere in the world.
- Purchasing management, order record and tracking of shipments.

To access the product, [click on the green button.](#)

| Product | Code | Reference | Product link |
|---|-------------|--------------------|----------------------------|
| Housing screw connection for two-piece M12 connectors for the reflow soldering process. | 1437889 | SACC-M12 NUT PRESS | Buy on EAN |