



Automatización Eléctrica
Especialistas en Automatización

At the end of this document you will find links to products related to this catalog. You can go directly to our shop by clicking [HERE](#). [HERE](#)

Bus system flat-type plug - SACC-DSIV-FSD-4CON-L90 SCO - 1436550

Please be informed that the data shown in this PDF Document is generated from our Online Catalog. Please find the complete data in the user's documentation. Our General Terms of Use for Downloads are valid (<http://phoenixcontact.com/download>)



Bus system flush-type connector, socket, Ethernet, 4-pos., M12 SPEEDCON, shielded, D-coded, rear/screw mounting with M12 thread, with polarity protection, with angled solder connection



Key Commercial Data

Packing unit	10 STK
GTIN	4 046356 438612

Technical data

Ambient conditions

Ambient temperature (operation)	-25 °C ... 85 °C (Plug / socket)
Degree of protection	IP67

General

Note	This product corresponds to the PROFIBUS Cabling and Interconnection Technology Guideline for PROFIBUS regulations, version 2.00, order no: 2.252, Chapter 8.2 Connectors for Outside Environment (Balanced cabling)
Rated current at 40°C	4 A
Rated voltage	250 V
Number of positions	4
Insulation resistance	≥ 100 MΩ
Coding	D - data
Status display	No
Overvoltage category	II
Degree of pollution	3
Connection method	Solder pins
Mounting type	Rear mounting M12 x 1 With flat nut

Material

Flammability rating according to UL 94	V0
--	----

Bus system flat-type plug - SACC-DSIV-FSD-4CON-L90 SCO - 1436550

Technical data

Material

Contact material	CuZn
Contact surface material	Au
Contact carrier material	PA 66
Material, knurls	Zinc die-cast, nickel-plated
Sealing material	NBR

Standards and Regulations

Flammability rating according to UL 94	V0
--	----

Classifications

eCl@ss

eCl@ss 4.0	27250313
eCl@ss 4.1	27250313
eCl@ss 5.0	27143423
eCl@ss 5.1	27143423
eCl@ss 6.0	27143423
eCl@ss 7.0	27449001
eCl@ss 8.0	27440103

ETIM

ETIM 3.0	EC001855
ETIM 4.0	EC000830
ETIM 5.0	EC002061

UNSPSC

UNSPSC 6.01	31251501
UNSPSC 7.0901	31251501
UNSPSC 11	31251501
UNSPSC 12.01	31251501
UNSPSC 13.2	31251501

Approvals

Approvals

Approvals

UL Recognized / EAC

Ex Approvals

Bus system flat-type plug - SACC-DSIV-FSD-4CON-L90 SCO - 1436550

Approvals

Approvals submitted

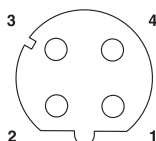
Approval details

UL Recognized	
mm ² /AWG/kcmil	26-20
Nominal current I _N	4 A
Nominal voltage U _N	250 V

EAC

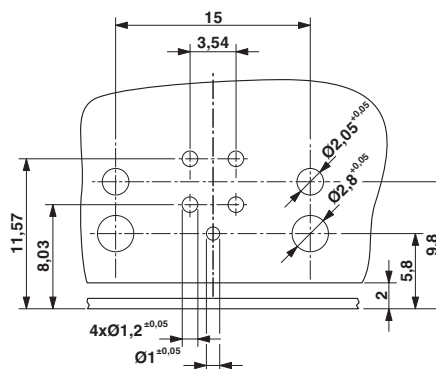
Drawings

Schematic diagram



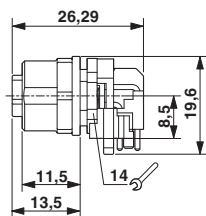
Pin assignment M12 socket, 4-pos., D-coded, female side

Drilling diagram



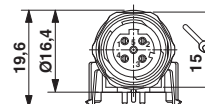
Drilling diagram

Dimensional drawing



M12 flush-type connector, socket, side view

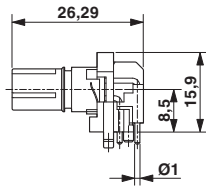
Dimensional drawing



M12 flush-type connector, socket, front view

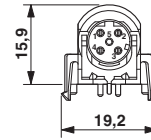
Bus system flat-type plug - SACC-DSIV-FSD-4CON-L90 SCO - 1436550

Dimensional drawing



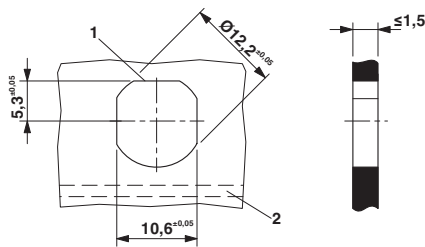
M12 flush-type connector, socket, contact carrier, side view

Dimensional drawing



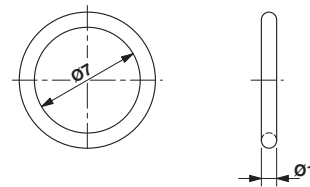
M12 flush-type connector, socket, contact carrier, front view

Dimensional drawing



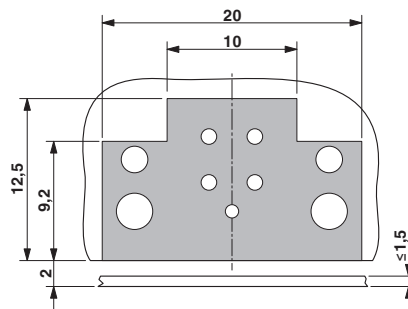
Housing cutout for M12 fastening thread, mounting panel with feed-through hole (alternative with surface as protection against rotation)

Dimensional drawing



Optionally with O-ring (green) for tight seal when plugged in.
- the axial mating force of 80 N per connector may not be exceeded when using with assembled O-ring!
- Avoid radial forces!

Dimensional drawing



Locked area on the PCB



Below is a list of articles with direct links to our shop Electric Automation Network where you can see:

- Quote per purchase volume in real time.
- Online documentation and datasheets of all products.
- Estimated delivery time enquiry in real time.
- Logistics systems for the shipment of materials almost anywhere in the world.
- Purchasing management, order record and tracking of shipments.

To access the product, [click on the green button.](#)

Product	Code	Reference	Product link
Bus system flush-type connector, socket, ETHERNET, 4-pos., M12 SPEEDCON, shielded, D-coded, rear/screw mounting with M12 thread, with polarity protection, with angled solder connection	1436550	SACC-DSIV-FSD-4CON-L90 SCO	Buy on EAN