



Automatización Eléctrica
Especialistas en Automatización

At the end of this document you will find links to products related to this catalog. You can go directly to our shop by clicking [HERE](#). [HERE](#)

Distributor - VS-ASI-J-Y-N-M12FS-LC - 1433155

Please be informed that the data shown in this PDF Document is generated from our Online Catalog. Please find the complete data in the user's documentation. Our General Terms of Use for Downloads are valid (<http://phoenixcontact.com/download>)



AS-Interface distributor with IP67 protection for one flat-ribbon conductor, with a straight, A-coded, 2-pos. M12 socket



Key Commercial Data

| | |
|--------------|---------------------|
| Packing unit | 1 STK |
| GTIN | 4 046356 346245 |

Technical data

Ambient conditions

| | |
|---|----------------------------------|
| Ambient temperature (operation) | -25 °C ... 70 °C (Plug / socket) |
| Ambient temperature (storage/transport) | -25 °C ... 70 °C |

General

| | |
|-----------------------------|----------------------------|
| Number of positions | 2 |
| Overvoltage category | II |
| Degree of pollution | 3 |
| Connection method | AS-i penetration technique |
| Insertion/withdrawal cycles | ≥ 100 (M12 connector) |

Material

| | |
|--------------------------|------------------------------|
| Contact material | CuZn |
| Contact surface material | Sn/Au |
| Contact carrier material | PUR |
| Material, knurls | Zinc die-cast, nickel-plated |
| Sealing material | Neoprene (Flat gasket) |
| | FPM (O-ring) |

Distributor - VS-ASI-J-Y-N-M12FS-LC - 1433155

Classifications

eCl@ss

| | |
|------------|----------|
| eCl@ss 4.0 | 27140815 |
| eCl@ss 4.1 | 27140815 |
| eCl@ss 5.0 | 27143423 |
| eCl@ss 5.1 | 27143423 |
| eCl@ss 6.0 | 27143423 |
| eCl@ss 7.0 | 27449001 |
| eCl@ss 8.0 | 27440320 |

ETIM

| | |
|----------|----------|
| ETIM 2.0 | EC000200 |
| ETIM 3.0 | EC001856 |
| ETIM 4.0 | EC000313 |
| ETIM 5.0 | EC000313 |

UNSPSC

| | |
|---------------|----------|
| UNSPSC 6.01 | 31261501 |
| UNSPSC 7.0901 | 31261501 |
| UNSPSC 11 | 31261501 |
| UNSPSC 12.01 | 31261501 |
| UNSPSC 13.2 | 31261501 |

Approvals

Approvals

Approvals

EAC

Ex Approvals

Approvals submitted

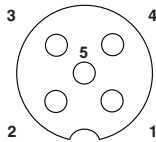
Approval details

| |
|-----|
| EAC |
|-----|

Drawings

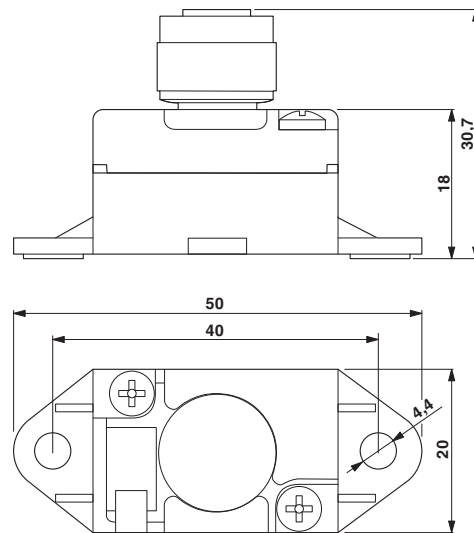
Distributor - VS-ASI-J-Y-N-M12FS-LC - 1433155

Schematic diagram



Pin assignment M12, PIN 1: AS-i +, PIN 3: AS-i -, PIN 2,4,5: Not used

Dimensional drawing



Phoenix Contact 2016 © - all rights reserved
<http://www.phoenixcontact.com>

PHOENIX CONTACT GmbH & Co. KG
Flachsmarktstr. 8
32825 Blomberg
Germany
Tel. +49 5235 300
Fax +49 5235 3 41200
<http://www.phoenixcontact.com>



Automatización Eléctrica
Especialistas en Automatización

Below is a list of articles with direct links to our shop Electric Automation Network where you can see:

- Quote per purchase volume in real time.
- Online documentation and datasheets of all products.
- Estimated delivery time enquiry in real time.
- Logistics systems for the shipment of materials almost anywhere in the world.
- Purchasing management, order record and tracking of shipments.

To access the product, [click on the green button.](#)

| Product | Code | Reference | Product link |
|--|---------|-----------------------|----------------------------|
| AS-Interface distributor with IP67 protection for one flat-ribbon conductor, with a straight, A-coded, 2-pos. M12 socket | 1433155 | VS-ASI-J-Y-N-M12FS-LC | Buy on EAN |