



Automatización Eléctrica
Especialistas en Automatización

At the end of this document you will find links to products related to this catalog. You can go directly to our shop by clicking [HERE](#). [HERE](#)

Flush-type connector - SACC-CI-M12FSB-5CON-L90 SH SCO - 1432512

Please be informed that the data shown in this PDF Document is generated from our Online Catalog. Please find the complete data in the user's documentation. Our General Terms of Use for Downloads are valid (<http://phoenixcontact.com/download>)




Sensor/actuator flush-type connector, socket, 5-pos., B-coded, shielded, with angled solder connection, only contact insert

Why buy this product

- Reduzierte Montagekosten dank zweiteiliger Gerätesteckverbinder
- Alle gängigen Polbilder und Kodierungen verfügbar
- Einfache Geräteintegration durch mechanische Port-Verschraubungen mit Gewindefestigung, Einpresskontur oder zur direkten Integration in die Frontplatte
- Zusätzliche Abdichtung zum Gerät im ungesteckten Zustand



Key Commercial Data

| | |
|------------------------|---|
| Packing unit | 20 STK |
| Minimum order quantity | 20 STK |
| GTIN |  4 046356 410717 |

Technical data

Ambient conditions

| | |
|---------------------------------|---|
| Ambient temperature (operation) | -25 °C ... 85 °C (Plug / socket) |
| | -40 °C ... 85 °C (without mechanical actuation) |
| Degree of protection | IP67 |

General

| | |
|-----------------------|--|
| Note | The electrical and mechanical data specified assume that the connector pair is correctly locked and mounted. If the connector is unlocked and if there is a danger of contamination, the connector must be sealed using a protective cap > IP54. Influences arising from litz wires, cables or PCB assembly must also be taken into consideration. |
| Rated current at 40°C | 4 A |
| Rated voltage | 60 V |
| Rated surge voltage | 1.5 kV |
| Number of positions | 5 |

Flush-type connector - SACC-CI-M12FSB-5CON-L90 SH SCO - 1432512

Technical data

General

| | |
|-----------------------------|-----------------------------------|
| Insulation resistance | ≥ 100 MΩ |
| Coding | B - inverse |
| Standards/regulations | M12 connector IEC 61076-2-101 |
| Status display | No |
| Overvoltage category | II |
| Degree of pollution | 3 |
| Connection method | Solder pins |
| Insertion/withdrawal cycles | > 100 |
| Torque | 3 Nm ... 4 Nm (Installation-side) |
| Mounting type | PCB mounting |

Material

| | |
|--|------------|
| Flammability rating according to UL 94 | V0 |
| Contact material | CuZn |
| Contact surface material | Au |
| Contact carrier material | PA 66 |
| Sealing material | FKM / EPDM |

Cable

| | |
|------------------------------------|---|
| Conductor cross section | 0.34 mm ² |
| Conductor structure signal line | 7x 0.25 mm |
| Core diameter including insulation | 1.2 mm ±0.07 mm |
| Thickness, insulation | 0.21 mm |
| Insulation resistance | ≥ 20 MΩ*km |
| Conductor resistance | ≤ 57.6 mΩ/m |
| Nominal voltage, cable | 300 V |
| Test voltage, cable | 2000 V AC |
| Ambient temperature (operation) | -40 °C ... 85 °C (cable, fixed installation) |
| | -25 °C ... 85 °C (cable, flexible installation) |

Standards and Regulations

| | |
|--|-----------------|
| Standard designation | M12 connector |
| Standards/regulations | IEC 61076-2-101 |
| Flammability rating according to UL 94 | V0 |

Classifications

eCl@ss

| | |
|------------|----------|
| eCl@ss 4.0 | 27250313 |
| eCl@ss 4.1 | 27250313 |
| eCl@ss 5.0 | 27143423 |
| eCl@ss 5.1 | 27143423 |

Flush-type connector - SACC-CI-M12FSB-5CON-L90 SH SCO - 1432512

Classifications

eCl@ss

| | |
|------------|----------|
| eCl@ss 6.0 | 27143423 |
| eCl@ss 7.0 | 27449001 |
| eCl@ss 8.0 | 27440103 |

ETIM

| | |
|----------|----------|
| ETIM 3.0 | EC001855 |
| ETIM 4.0 | EC002061 |
| ETIM 5.0 | EC002061 |

UNSPSC

| | |
|---------------|----------|
| UNSPSC 6.01 | 31251501 |
| UNSPSC 7.0901 | 31251501 |
| UNSPSC 11 | 31251501 |
| UNSPSC 12.01 | 31251501 |
| UNSPSC 13.2 | 31251501 |

Approvals

Approvals

Approvals

UL Recognized / cUL Recognized / EAC / cULus Recognized

Ex Approvals

Approvals submitted

Approval details

| | |
|--------------------------------|-------|
| UL Recognized | |
| mm ² /AWG/kcmil | 26-20 |
| Nominal current I _N | 4 A |
| Nominal voltage U _N | 60 V |

Flush-type connector - SACC-CI-M12FSB-5CON-L90 SH SCO - 1432512

Approvals

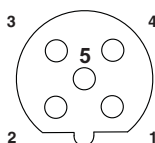
| | |
|--------------------------------|-------|
| cUL Recognized | |
| mm ² /AWG/kcmil | 26-20 |
| Nominal current I _N | 4 A |
| Nominal voltage U _N | 60 V |

| |
|-----|
| EAC |
|-----|

| |
|------------------|
| cULus Recognized |
|------------------|

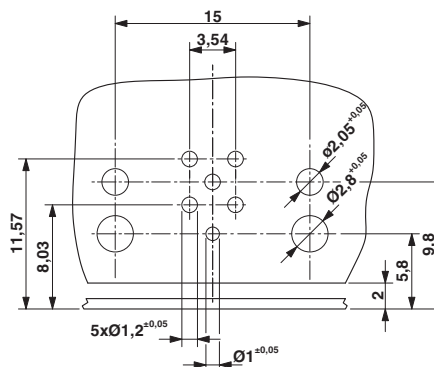
Drawings

Schematic diagram



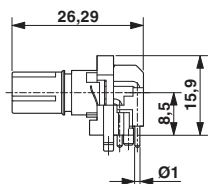
Pin assignment M12 socket, 5-pos., B-coded, female side

Drilling diagram



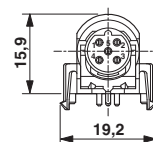
Drilling diagram only valid in connection with the SACC-M12-SCO NUT L90 housing (order no. 1432460)

Dimensional drawing



M12 flush-type connector, socket, contact carrier, side view

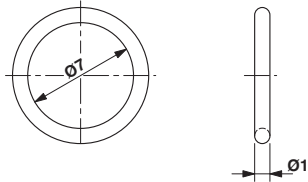
Dimensional drawing



M12 flush-type connector, socket, contact carrier, front view

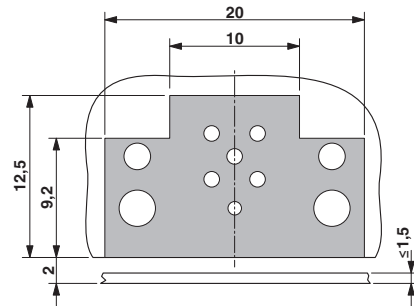
Flush-type connector - SACC-CI-M12FSB-5CON-L90 SH SCO - 1432512

Dimensional drawing



- Optionally with O-ring (green) for tight seal when plugged in.
- the axial mating force of 80 N per connector may not be exceeded when using with assembled O-ring!
 - Avoid radial forces!

Dimensional drawing



Locked area on the PCB

Phoenix Contact 2016 © - all rights reserved
<http://www.phoenixcontact.com>

PHOENIX CONTACT GmbH & Co. KG
Flachsmarktstr. 8
32825 Blomberg
Germany
Tel. +49 5235 300
Fax +49 5235 3 41200
<http://www.phoenixcontact.com>



Automatización Eléctrica
Especialistas en Automatización

Below is a list of articles with direct links to our shop Electric Automation Network where you can see:

- Quote per purchase volume in real time.
- Online documentation and datasheets of all products.
- Estimated delivery time enquiry in real time.
- Logistics systems for the shipment of materials almost anywhere in the world.
- Purchasing management, order record and tracking of shipments.

To access the product, [click on the green button.](#)

| Product | Code | Reference | Product link |
|---|---------|-----------------------------------|----------------------------|
| Sensor/actuator flush-type connector, socket, 5-pos., B-coded, shielded, with angled solder connection, only contact insert | 1432512 | SACC-CI-M12FSB-5CON-L90 SH SCO | Buy on EAN |