



**Automatización Eléctrica**  
Especialistas en Automatización

At the end of this document you will find links to products related to this catalog. You can go directly to our shop by clicking [HERE](#). [HERE](#)

# FO transceiver - FOC-M12-MNNA-TC-650 - 1416716

Please be informed that the data shown in this PDF Document is generated from our Online Catalog. Please find the complete data in the user's documentation. Our General Terms of Use for Downloads are valid (<http://phoenixcontact.com/download>)



M12 FO transceiver, duplex, wavelength: 650 nm for 125 Mbps, for POF and PCF fiber, for PCB mounting, M16 fastening thread, with sealing cap, including I<sup>2</sup>C interface for transceiver monitoring and management

M12 OPTIC transceiver for POF and PCF

## Product Description

M12 OPTIC transceiver, 650 nm, 125 Mbps

## Why buy this product

- 
- robust metal housing
- Pin connector pattern in accordance with DIN/IEC 61754-27
- I<sup>2</sup>C management interface
- Signal Detect (SD) output
- PECL inputs/outputs
- -4 dBm output power
- -20 dBm receiver sensitivity

## Ethernet

### Key Commercial Data

Packing unit	1 STK
GTIN	 4 046356 480819

### Technical data

#### Ambient conditions

Ambient temperature (operation)	-40 °C ... 85 °C
Ambient temperature (storage/transport)	-40 °C ... 85 °C

#### Material data

Flammability rating according to UL 94	V0
Housing material	Metal

### Standards and Regulations

# FO transceiver - FOC-M12-MNNA-TC-650 - 1416716

## Technical data

### Standards and Regulations

Flammability rating according to UL 94	V0
--	----

## Classifications

### eCl@ss

eCl@ss 4.0	272607xx
eCl@ss 4.1	27260701
eCl@ss 5.0	27260701
eCl@ss 5.1	27260701
eCl@ss 6.0	27260708
eCl@ss 7.0	27440312
eCl@ss 8.0	19170122

### ETIM

ETIM 3.0	EC001122
ETIM 4.0	EC001122
ETIM 5.0	EC001122

### UNSPSC

UNSPSC 6.01	31261501
UNSPSC 7.0901	31261501
UNSPSC 11	31261501
UNSPSC 12.01	31261501
UNSPSC 13.2	31261501

## Approvals

### Approvals

---

Approvals

EAC

---

Ex Approvals

---

Approvals submitted

---

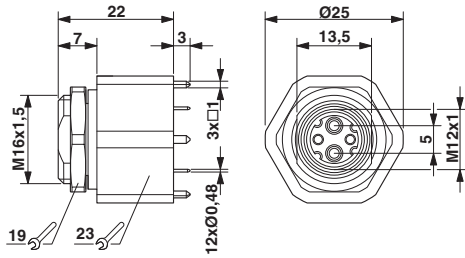
### Approval details

EAC
-----

# FO transceiver - FOC-M12-MNNA-TC-650 - 1416716

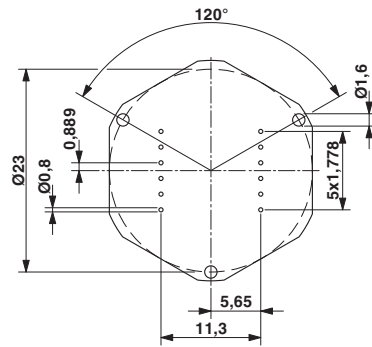
## Drawings

Dimensional drawing



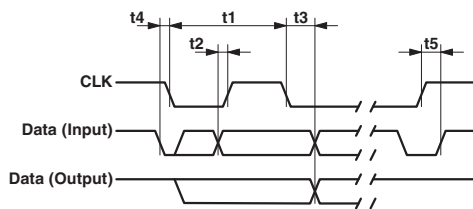
Housing dimensions

Drilling diagram



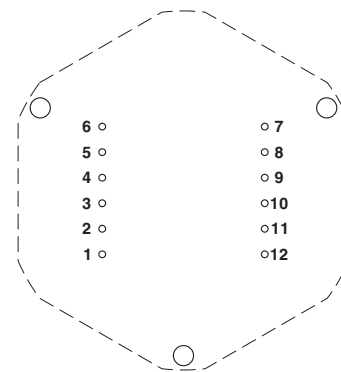
Drilling diagram

Diagram



I2C bus timing

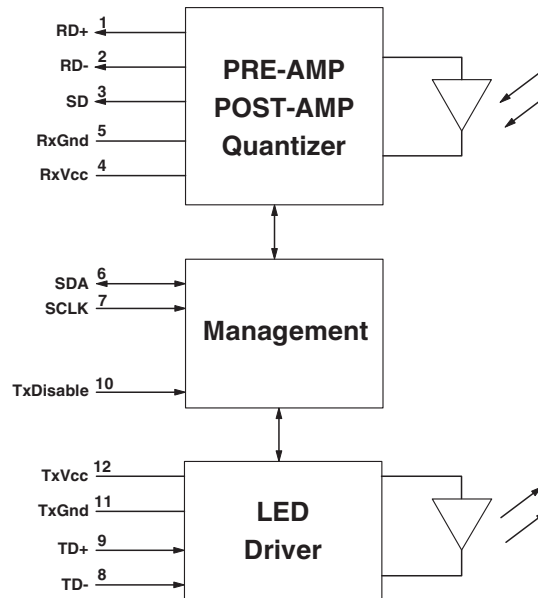
Schematic diagram



Pin assignment, component mounting side view

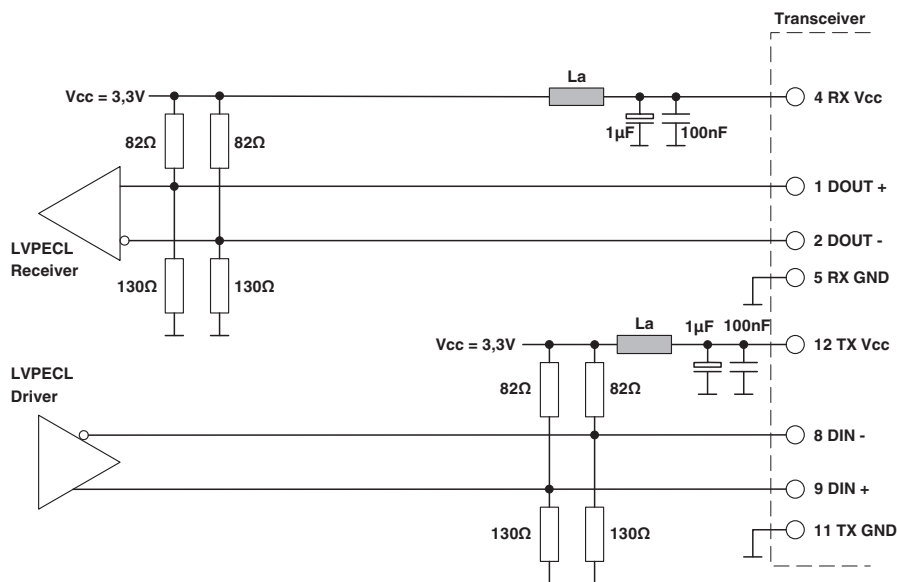
# FO transceiver - FOC-M12-MNNA-TC-650 - 1416716

Block diagram



Transceiver block diagram

Circuit diagram



External wiring of the transceiver.

Ferrite coil La:

Typical impedance of 120 Ohm at 100 MHz,

Maximum DC resistance of 0.15 Ohm at 200 mA

Phoenix Contact 2016 © - all rights reserved  
<http://www.phoenixcontact.com>

PHOENIX CONTACT GmbH & Co. KG  
Flachmarktstr. 8  
32825 Blomberg  
Germany  
Tel. +49 5235 300  
Fax +49 5235 3 41200  
<http://www.phoenixcontact.com>



**Automatización Eléctrica**  
Especialistas en Automatización

Below is a list of articles with direct links to our shop Electric Automation Network where you can see:

- Quote per purchase volume in real time.
- Online documentation and datasheets of all products.
- Estimated delivery time enquiry in real time.
- Logistics systems for the shipment of materials almost anywhere in the world.
- Purchasing management, order record and tracking of shipments.

To access the product, [click on the green button.](#)

Product	Code	Reference	Product link
M12 FO transceiver, duplex, wavelength: 650 nm for 125 Mbps, for POF and PCF fiber, for PCB mounting, M16 fastening thread, with sealing cap, including I <sup>2</sup> C interface for transceiver monitoring and management	1416716	FOC-M12-MNNA-TC-650	<a href="#">Buy on EAN</a>