



Automatización Eléctrica
Especialistas en Automatización

At the end of this document you will find links to products related to this catalog. You can go directly to our shop by clicking [HERE](#). [HERE](#)

Connector set - HC-STA-B24PT-BWD-LS-M32-ELCAL - 1416359

Please be informed that the data shown in this PDF Document is generated from our Online Catalog. Please find the complete data in the user's documentation. Our General Terms of Use for Downloads are valid (<http://phoenixcontact.com/download>)



Connector set, Number of positions: 24, Material: Die-cast aluminum, salt water resistant, Connection method: Push-in connection, Connection cross section: AWG 26-14



Key Commercial Data

Packing unit	1 STK
GTIN	 4 055626 071305

Technical data

General

Number of positions	24+PE
Type	B24
Connection method	Push-in connection
Degree of protection for housing	IP66
	IP69K (ISO 20653:2013-02)
	IP67
	4
	4X
	12
Connection method	Push-in connection
Rated voltage (III/3)	500 V
Rated surge voltage	6 kV
Rated current	16 A

Standards and Regulations

Flammability rating according to UL 94	V0
--	----

Connector set - HC-STA-B24PT-BWD-LS-M32-ELCAL - 1416359

Articles in set

Contact insert - HC-B 24-I-PT-F - 1407735



HEAVYCON socket insert, B24 series, 24 + PE-pos., push-in connection

Contact insert - HC-B 24-I-PT-M - 1407736



HEAVYCON pin insert, B24 series, 24 + PE-pos., push-in connection

Housing - HC-STA-B24-BWD-ELC-AL - 1411331



HEAVYCON B24 panel mounting base, with double locking latch, with flat gasket, salt-water-resistant aluminum, conductive profile gasket

Housing - HC-STA-B24-HLFD-1STM32-EL-AL - 1412774



Sleeve housing B24, For double locking latch, Material: Die-cast aluminum, salt water resistant, Cable outlets: 1, Lateral, Height: 60 mm, Cable gland: none, Gland: no, 1x M32, Standard

Cable gland - G-INS-M32-M68N-NNES-S - 1411166



Cable gland, Cable gland material: Brass, nickel-plated, External cable diameter 15 mm ... 21 mm, Shielding: No, Connecting thread: M32, Color: silver

Classifications

eCl@ss

eCl@ss 5.1	27143424
eCl@ss 8.0	27440101

Connector set - HC-STA-B24PT-BWD-LS-M32-ELCAL - 1416359

Classifications

ETIM

ETIM 5.0	EC002636
----------	----------

Approvals

Approvals

Approvals

EAC / GL

Ex Approvals

Approvals submitted

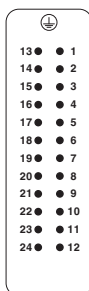
Approval details

EAC

GL

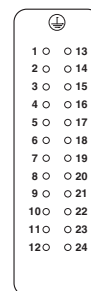
Drawings

Schematic diagram



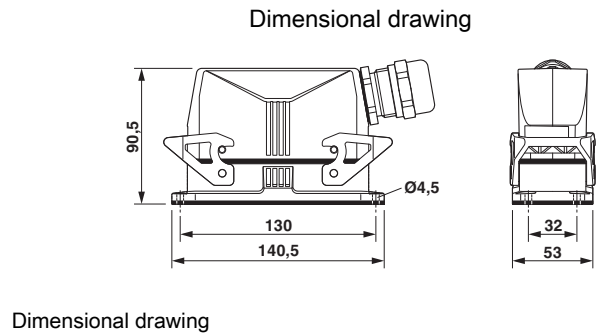
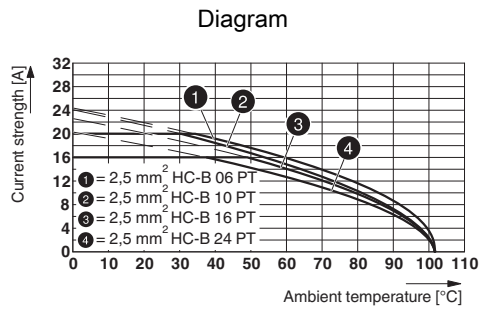
Pin assignment, connection side, pin

Schematic diagram



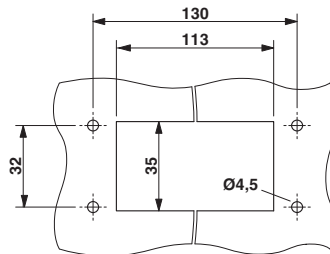
Pin assignment, connection side, socket

Connector set - HC-STA-B24PT-BWD-LS-M32-ELCAL - 1416359



Derating diagram

Dimensional drawing



Panel cutout

Phoenix Contact 2016 © - all rights reserved
<http://www.phoenixcontact.com>

PHOENIX CONTACT GmbH & Co. KG
Flachsmarktstr. 8
32825 Blomberg
Germany
Tel. +49 5235 300
Fax +49 5235 3 41200
<http://www.phoenixcontact.com>



Below is a list of articles with direct links to our shop Electric Automation Network where you can see:

- Quote per purchase volume in real time.
- Online documentation and datasheets of all products.
- Estimated delivery time enquiry in real time.
- Logistics systems for the shipment of materials almost anywhere in the world.
- Purchasing management, order record and tracking of shipments.

To access the product, [click on the green button.](#)

Product	Code	Reference	Product link
Connector set, Number of positions: 24, Material: Die-cast aluminum, salt water resistant, Connection method: Push-in connection	1416359	HC-STA-B24PT- BWD-LS-M32- ELCAL	Buy on EAN