



Automatización Eléctrica
Especialistas en Automatización

At the end of this document you will find links to products related to this catalog. You can go directly to our shop by clicking [HERE](#). [HERE](#)

Bus system T-connector - SAC-5P-MINT/2XMIN DN - 1401029

Please be informed that the data shown in this PDF Document is generated from our Online Catalog. Please find the complete data in the user's documentation. Our General Terms of Use for Downloads are valid (<http://phoenixcontact.com/download>)



Bus system T-connector, DeviceNet™, 5-position, Plug straight 7/8"-16UNF, on Socket straight 7/8"-16UNF and Socket straight 7/8"-16UNF, Parallel distributor

DeviceNet

Key Commercial Data

Packing unit	1 STK
GTIN	 4 046356 542616

Technical data

Ambient conditions

Degree of protection	IP65
	IP67

General data

Rated current at 40°C	10 A (at 25 °C)
Rated voltage	250 V
Number of positions	5
Signal type/category	DeviceNet™
Overvoltage category	II
Degree of pollution	3

Standards and Regulations

Flammability rating according to UL 94	HB
--	----

Classifications

eCl@ss

eCl@ss 4.0	27060306
eCl@ss 4.1	27060306
eCl@ss 5.0	27061801
eCl@ss 5.1	27061801
eCl@ss 6.0	19070402

Bus system T-connector - SAC-5P-MINT/2XMIN DN - 1401029

Classifications

eCl@ss

eCl@ss 7.0	19070402
eCl@ss 8.0	19070402
eCl@ss 9.0	27440106

ETIM

ETIM 2.0	EC000830
ETIM 3.0	EC001855
ETIM 4.0	EC000421
ETIM 5.0	EC000421

UNSPSC

UNSPSC 6.01	31251501
UNSPSC 7.0901	31251501
UNSPSC 11	31251501
UNSPSC 12.01	31251501
UNSPSC 13.2	31251501

Approvals

Approvals

Approvals

EAC

Ex Approvals

Approvals submitted

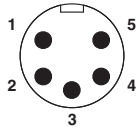
Approval details

EAC

Drawings

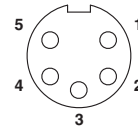
Bus system T-connector - SAC-5P-MINT/2XMIN DN - 1401029

Schematic diagram



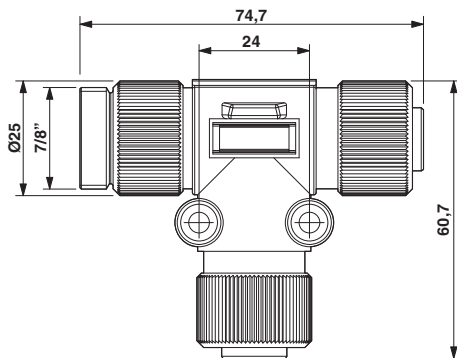
Pin assignment, plug, 7/8"-16UNF, 5-pos., view of male side

Schematic diagram



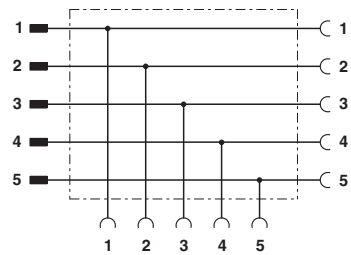
Pin assignment, socket, 7/8"-16UNF, 5-pos., view of female side

Dimensional drawing



T-distributor 7/8", top view

Circuit diagram



Contact assignment of the 7/8" T-distributor



Automatización Eléctrica
Especialistas en Automatización

Below is a list of articles with direct links to our shop Electric Automation Network where you can see:

- Quote per purchase volume in real time.
- Online documentation and datasheets of all products.
- Estimated delivery time enquiry in real time.
- Logistics systems for the shipment of materials almost anywhere in the world.
- Purchasing management, order record and tracking of shipments.

To access the product, [click on the green button.](#)

Product	Code	Reference	Product link
Bus system T-connector, DeviceNet™, 5-position, Plug straight 7/8"-16UNF, on Socket straight 7/8"-16UNF and Socket straight 7/8"-16UNF, Parallel distributor	1401029	SAC-5P-MINT/2XMIN DN	Buy on EAN