



Automatización Eléctrica
Especialistas en Automatización

At the end of this document you will find links to products related to this catalog. You can go directly to our shop by clicking [HERE](#). [HERE](#)

Screwdriver - SZS 1,0X4,0 VDE - 1205066

Please be informed that the data shown in this PDF Document is generated from our Online Catalog. Please find the complete data in the user's documentation. Our General Terms of Use for Downloads are valid (<http://phoenixcontact.com/download>)



Screwdriver, slot-headed, VDE insulated, size: 1.0 x 4.0 x 100 mm, 2-component grip, with non-slip grip

The illustration shows version SZS
0,6 x 3,5

Why buy this product

- The tools feature ergonomic two-component safety handles
- Large contact surface of blades inside screw head
- Individually tested safety screwdrivers according to DIN EN 60900 (VDE 0682-201)
- For working on or in the vicinity of live parts up to 1000 V AC or 1500 V DC

Key Commercial Data

Packing unit	10 STK
GTIN	 4 017918 019105

Technical data

Dimensions

Length (b)	198 mm
Width (a)	33 mm
Blade thickness	1 mm
Blade width	4 mm
Blade height	100 mm

General

Type	Bladed
Material	Alloyed tool steel
Test standard	DIN/ISO 2380-1 IEC 60900:2004

Standards and Regulations

Test standard	DIN/ISO 2380-1 IEC 60900:2004
---------------	-------------------------------

Screwdriver - SZS 1,0X4,0 VDE - 1205066

Classifications

eCl@ss

eCl@ss 4.0	21040401
eCl@ss 4.1	21040401
eCl@ss 5.0	21040401
eCl@ss 5.1	21040401
eCl@ss 6.0	21040401
eCl@ss 7.0	21040409
eCl@ss 8.0	21040407

ETIM

ETIM 2.0	EC000158
ETIM 3.0	EC000158
ETIM 4.0	EC000158
ETIM 5.0	EC000158

UNSPSC

UNSPSC 6.01	27111701
UNSPSC 7.0901	27111701
UNSPSC 11	27111701
UNSPSC 12.01	27111701
UNSPSC 13.2	27111701

Approvals

Approvals

Approvals

VDE Zeichengenehmigung / VDE Zeichengenehmigung / EAC

Ex Approvals

Approvals submitted

Approval details

VDE Zeichengenehmigung

Screwdriver - SZS 1,0X4,0 VDE - 1205066

Approvals

VDE Zeichengenehmigung

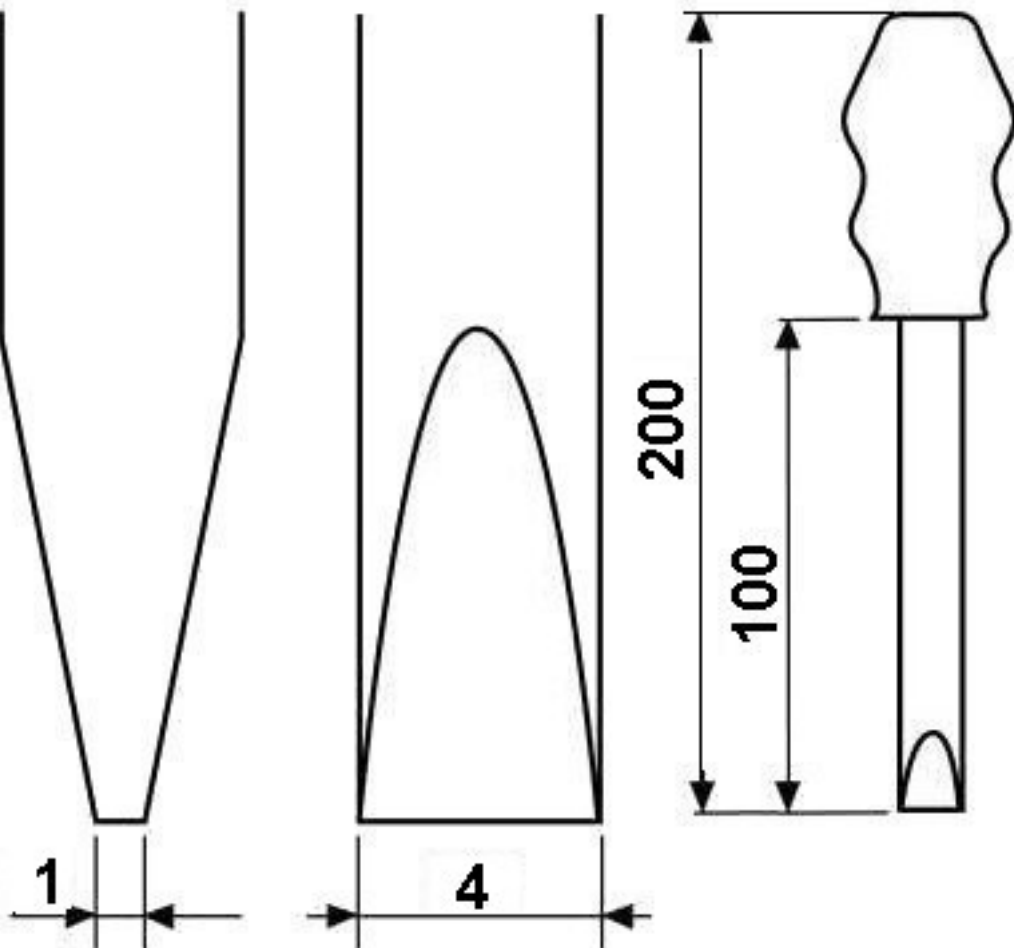
EAC

Drawings

Pictogram



Dimensional drawing



Phoenix Contact 2016 © - all rights reserved
<http://www.phoenixcontact.com>

PHOENIX CONTACT GmbH & Co. KG
Flachmarktstr. 8
32825 Blomberg
Germany
Tel. +49 5235 300
Fax +49 5235 3 41200
<http://www.phoenixcontact.com>



Below is a list of articles with direct links to our shop Electric Automation Network where you can see:

- Quote per purchase volume in real time.
- Online documentation and datasheets of all products.
- Estimated delivery time enquiry in real time.
- Logistics systems for the shipment of materials almost anywhere in the world.
- Purchasing management, order record and tracking of shipments.

To access the product, [click on the green button.](#)

Product	Code	Reference	Product link
Screwdriver, slot-headed, VDE insulated, size: 1.0 x 4.0 x 100 mm, 2-component grip, with non-slip grip	1205066	SZS 1,0X4,0 VDE	Buy on EAN