



Automatización Eléctrica
Especialistas en Automatización

At the end of this document you will find links to products related to this catalog. You can go directly to our shop by clicking [HERE](#). [HERE](#)


Ferrule - AI 0,75- 8 GY S1 - 1200105

Please be informed that the data shown in this PDF Document is generated from our Online Catalog. Please find the complete data in the user's documentation. Our General Terms of Use for Downloads are valid (<http://phoenixcontact.com/download>)



Taped ferrules, 0.75 mm², sleeve length 8 mm, with plastic collar, according to DIN 46228-4, gray, for processing with the CRIMPFOX 4 IN 1, 10 strips each with 50 sleeves per strip.

Key Commercial Data

Packing unit	500 STK
Minimum order quantity	500 STK
GTIN	 4 055626 043029

Technical data

Dimensions

Length (b)	14 mm
Maximum stripping length	11 mm
Sleeve length	8 mm
Inner dimension of the insulating collar (d)	2.8 mm
Ferrule diameter	1.3 mm
Insulating collar thickness	0.25 mm
Sleeve wall thickness	0.15 mm

Ambient conditions

Short-term temperature	120 °C
Max. permanent temperature	105 °C

General

Color	gray
Components	free from silicone and halogen
Flammability rating according to UL 94	HB
Material	E-CU
Coating	tin-plated (galvanic)

Standards and Regulations

Flammability rating according to UL 94	HB
--	----

Ferrule - AI 0,75- 8 GY S1 - 1200105

Classifications

eCl@ss

eCl@ss 5.1	27400201
eCl@ss 6.0	27400201
eCl@ss 8.0	27400201

ETIM

ETIM 4.0	EC000005
ETIM 5.0	EC000005

Approvals

Approvals


Approvals

CSA

Ex Approvals

Approvals submitted

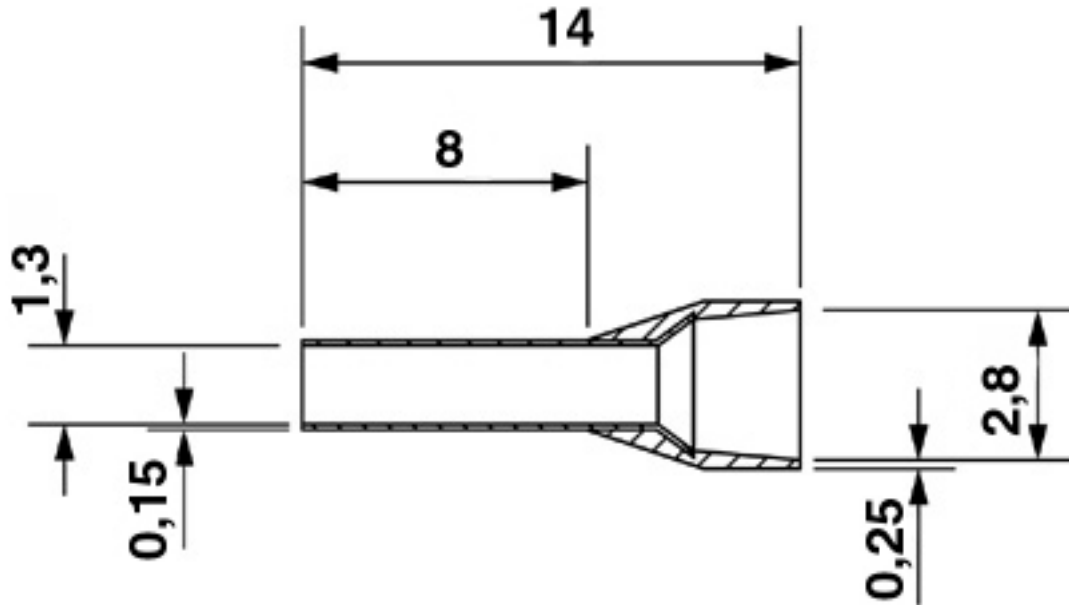
Approval details

CSA 

Drawings

Ferrule - Al 0,75- 8 GY S1 - 1200105

Dimensional drawing



Phoenix Contact 2016 © - all rights reserved
<http://www.phoenixcontact.com>

PHOENIX CONTACT GmbH & Co. KG
Flachsmarktstr. 8
32825 Blomberg
Germany
Tel. +49 5235 300
Fax +49 5235 3 41200
<http://www.phoenixcontact.com>

Below is a list of articles with direct links to our shop Electric Automation Network where you can see:

- Quote per purchase volume in real time.
- Online documentation and datasheets of all products.
- Estimated delivery time enquiry in real time.
- Logistics systems for the shipment of materials almost anywhere in the world.
- Purchasing management, order record and tracking of shipments.

To access the product, [click on the green button.](#)

Product	Code	Reference	Product link
Taped ferrules, 0.75 mm ² , sleeve length 8 mm, with plastic collar, according to DIN 46228-4, gray, for processing with the CRIMPFOX 4 IN 1, 10 strips each with 50 sleeves per strip.	1200105	AI 0,75-8 GY S1	Buy on EAN