



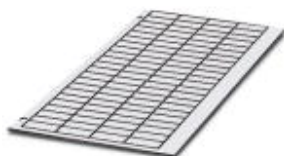
Automatización Eléctrica
Especialistas en Automatización

At the end of this document you will find links to products related to this catalog. You can go directly to our shop by clicking [HERE](#). [HERE](#)

Engraving material - GPE 22X12 WH - 0806929

Please be informed that the data shown in this PDF Document is generated from our Online Catalog. Please find the complete data in the user's documentation. Our General Terms of Use for Downloads are valid (<http://phoenixcontact.com/download>)

Engraving material, Sheet, white, unlabeled, can be labeled with: Engraving, Plotter, Mounting type: Adhesive, Lettering field: 22 x 12 mm



The figure shows the version GPE 20x8 WH

Why buy this product

- Can be labeled easily using the CMS-P1-PLOTTER
- Can be engraved using the P1 ENGRAVING UNIT
- Two-layer material
- The adhesive foil used ensures good adhesive properties, even on uneven surfaces
- Labeling service: Phoenix Contact can custom-label all GPE ... markers according to your requirements
- The label sheet consists of prefabricated, individual self-adhesive labels

Key Commercial Data

Packing unit	10 STK
Minimum order quantity	10 STK
GTIN	 4 017918 145064

Technical data

Dimensions

Length (b)	195 mm
Width (a)	100 mm

Ambient conditions

Ambient temperature (operation)	-20 °C ... 85 °C
Recommended storage conditions	20°C/50% relative humidity. Storage in the original packaging is recommended.

General

Note	Can be labeled with CMS
Color	white
Components	free from silicone and halogen
Material	TRANSPLY-ABS
Wipe resistance	DIN EN 61010-1 (VDE 0411-1)

Engraving material - GPE 22X12 WH - 0806929

Technical data

General

Number of individual labels	60
Number of individual labels per row	4
Adhesive	Acrylic
Printability	Engraving
	Plotter
Device	5144615 CMS-P1-PLOTTER
	5145546 P1 ENGRAVING UNIT
Adhesive strength	50 µm
Marking mounting type	Adhesive

Standards and Regulations

Wipe resistance	DIN EN 61010-1 (VDE 0411-1)
-----------------	-----------------------------

Classifications

eCl@ss

eCl@ss 4.0	24190218
eCl@ss 4.1	24190218
eCl@ss 5.0	27141137
eCl@ss 5.1	27141137
eCl@ss 6.0	27141137
eCl@ss 7.0	27141137
eCl@ss 8.0	27149129

ETIM

ETIM 2.0	EC000761
ETIM 3.0	EC000761
ETIM 4.0	EC000761
ETIM 5.0	EC001288

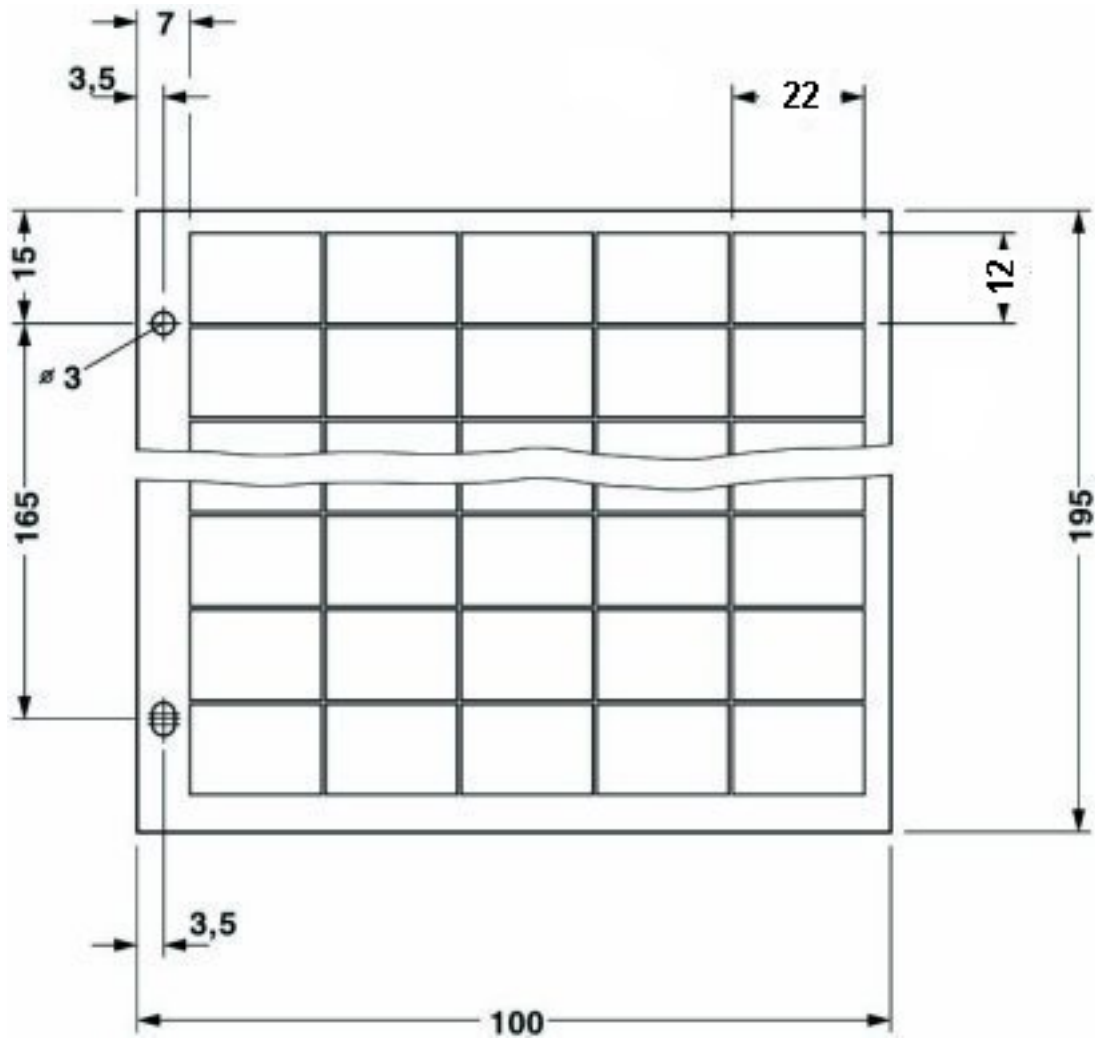
UNSPSC

UNSPSC 6.01	30211811
UNSPSC 7.0901	39121410
UNSPSC 11	39121410
UNSPSC 12.01	39121410
UNSPSC 13.2	39121410

Drawings

Engraving material - GPE 22X12 WH - 0806929

Dimensional drawing



Phoenix Contact 2016 © - all rights reserved
<http://www.phoenixcontact.com>

PHOENIX CONTACT GmbH & Co. KG
Flachsmarktstr. 8
32825 Blomberg
Germany
Tel. +49 5235 300
Fax +49 5235 3 41200
<http://www.phoenixcontact.com>



Below is a list of articles with direct links to our shop Electric Automation Network where you can see:

- Quote per purchase volume in real time.
- Online documentation and datasheets of all products.
- Estimated delivery time enquiry in real time.
- Logistics systems for the shipment of materials almost anywhere in the world.
- Purchasing management, order record and tracking of shipments.

To access the product, [click on the green button.](#)

Product	Code	Reference	Product link
Engraving material, Sheet, white, unlabeled, can be labeled with: Engraving, Plotter, Mounting type: Adhesive, Lettering field: 22 x 12 mm	0806929	GPE 22X12 WH	Buy on EAN