



Automatización Eléctrica
Especialistas en Automatización

At the end of this document you will find links to products related to this catalog. You can go directly to our shop by clicking [HERE](#). [HERE](#)

Sealing frame - CES-B10-HFFS-PLBK - 0801663

Please be informed that the data shown in this PDF Document is generated from our Online Catalog. Please find the complete data in the user's documentation. Our General Terms of Use for Downloads are valid (<http://phoenixcontact.com/download>)



Sealing frame with locking latch, size B10, with flat gasket, for 6 small sleeves

Product Description

Including flat gasket; mounting screws not supplied as standard

Key Commercial Data

Packing unit	1 STK
GTIN	 4 046356 674096

Technical data

Dimensions

Length	99.2 mm
Width	58.5 mm
Height	20 mm

Ambient conditions

Degree of protection	IP44
Ambient temperature (operation)	-40 °C ... 120 °C

General

Product description	Including flat gasket; mounting screws not supplied as standard
Frame type	Sealing frame
Material	PA
	Polyamide (Frame)
Flammability rating according to UL 94	V0
Color	black
Torque	1.8 Nm (Mounting screw, M4 (ISO 4762/DIN 912))
Installation instructions	One large sleeve requires the space of 4 small sleeves, M4 mounting screws (ISO 4762/DIN 912), torque for mounting screw: 1.8 Nm
	A video tutorial on how to assemble the product can be found in the Downloads area, in the Video category.
	Leak-tightness is guaranteed with underwall and perpendicular mounting; the flat gasket should be inserted between the wall and the sealing frame in the case of wall mounting.

Sealing frame - CES-B10-HFFS-PLBK - 0801663

Technical data

Standards and Regulations

Connection in acc. with standard	CUL
Flammability rating according to UL 94	V0

Classifications

eCl@ss

eCl@ss 4.0	23110102
eCl@ss 4.1	23110102
eCl@ss 5.0	23110102
eCl@ss 5.1	23110102
eCl@ss 6.0	23110102
eCl@ss 7.0	23110102
eCl@ss 8.0	27142421

ETIM

ETIM 3.0	EC001121
ETIM 4.0	EC002498
ETIM 5.0	EC000211

UNSPSC

UNSPSC 6.01	27113201
UNSPSC 7.0901	27113201
UNSPSC 11	27113201
UNSPSC 12.01	27113201
UNSPSC 13.2	27113201

Approvals

Approvals

Approvals

UL Recognized / cUL Recognized / GL / cULus Recognized

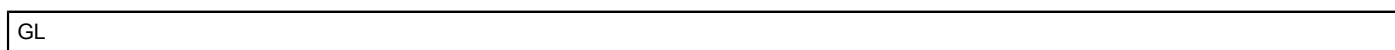
Ex Approvals

Approvals submitted

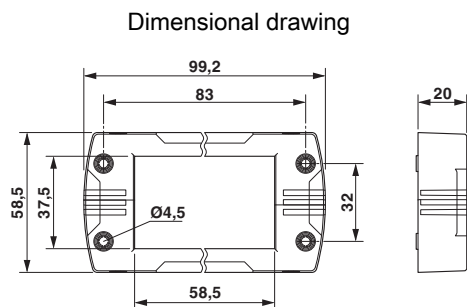
Approval details

Sealing frame - CES-B10-HFFS-PLBK - 0801663

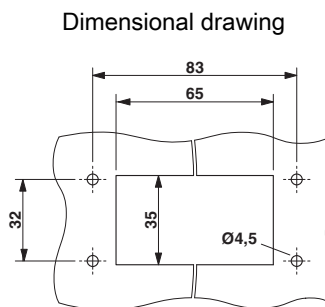
Approvals



Drawings



Dimensional drawing



Panel cutout

Phoenix Contact 2016 © - all rights reserved
<http://www.phoenixcontact.com>

PHOENIX CONTACT GmbH & Co. KG
Flachsmarktstr. 8
32825 Blomberg
Germany
Tel. +49 5235 300
Fax +49 5235 3 41200
<http://www.phoenixcontact.com>



Below is a list of articles with direct links to our shop Electric Automation Network where you can see:

- Quote per purchase volume in real time.
- Online documentation and datasheets of all products.
- Estimated delivery time enquiry in real time.
- Logistics systems for the shipment of materials almost anywhere in the world.
- Purchasing management, order record and tracking of shipments.

To access the product, [click on the green button.](#)

Product	Code	Reference	Product link
Sealing frame with locking latch, size B10, with flat gasket, for 6 small sleeves	0801663	CES-B10-HFFS-PLBK	Buy on EAN