



**Automatización Eléctrica**  
Especialistas en Automatización

At the end of this document you will find links to products related to this catalog. You can go directly to our shop by clicking [HERE](#). [HERE](#)

# Snap-on frame - CES-B10-SF-PLBK - 0801655

Please be informed that the data shown in this PDF Document is generated from our Online Catalog. Please find the complete data in the user's documentation. Our General Terms of Use for Downloads are valid (<http://phoenixcontact.com/download>)



Size B10 snap-on frame including integrated mounting panel seal, for accommodating CES-B10-HFFS-PLBK or CES-B10-SFFS-PLBK sealing frames

## Product Description

Snap-on frame, small

## Key Commercial Data

Packing unit	10 STK
GTIN	 4 046356 674157

## Technical data

### Dimensions

Length	108 mm
Width	64 mm
Height	38 mm

### Ambient conditions

Degree of protection	IP54
Ambient temperature (operation)	-20 °C ... 80 °C

### General

Product description	Snap-on frame, small
Frame type	Snap-on frame
Material	PA
	Polyamide (Frame)
Flammability rating according to UL 94	V0
Color	black
Installation instructions	M4 mounting screw. 1.8 Nm torque
	A video tutorial on how to assemble the product can be found in the Downloads area, in the Video category.
	Leak-tightness is guaranteed with underwall and perpendicular mounting.

## Standards and Regulations

# Snap-on frame - CES-B10-SF-PLBK - 0801655

## Technical data

### Standards and Regulations

Flammability rating according to UL 94	V0
--	----

## Classifications

### eCl@ss

eCl@ss 4.0	27081002
eCl@ss 4.1	27081002
eCl@ss 5.0	27081002
eCl@ss 5.1	27081002
eCl@ss 6.0	27081002
eCl@ss 7.0	27081002
eCl@ss 8.0	27069220

### ETIM

ETIM 3.0	EC000451
ETIM 4.0	EC000451
ETIM 5.0	EC000451

### UNSPSC

UNSPSC 6.01	30212109
UNSPSC 7.0901	39121708
UNSPSC 11	39121708
UNSPSC 12.01	39121708
UNSPSC 13.2	39121708

## Approvals

### Approvals

---

Approvals

GL

---

Ex Approvals

---

Approvals submitted

---

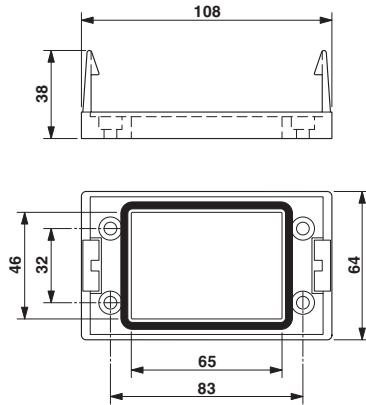
### Approval details

GL
----

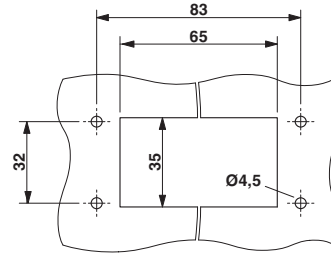
# Snap-on frame - CES-B10-SF-PLBK - 0801655

## Drawings

Dimensional drawing



Dimensional drawing



Panel cutout

Dimensional drawing

---

Phoenix Contact 2016 © - all rights reserved  
<http://www.phoenixcontact.com>

PHOENIX CONTACT GmbH & Co. KG  
Flachsmarktstr. 8  
32825 Blomberg  
Germany  
Tel. +49 5235 300  
Fax +49 5235 3 41200  
<http://www.phoenixcontact.com>



**Automatización Eléctrica**  
Especialistas en Automatización

Below is a list of articles with direct links to our shop Electric Automation Network where you can see:

- Quote per purchase volume in real time.
- Online documentation and datasheets of all products.
- Estimated delivery time enquiry in real time.
- Logistics systems for the shipment of materials almost anywhere in the world.
- Purchasing management, order record and tracking of shipments.

To access the product, [click on the green button.](#)

Product	Code	Reference	Product link
Size B10 snap-on frame including integrated mounting panel seal, for accommodating CES-B10-HFFS-PLBK or CES-B10-SFFS-PLBK sealing frames	0801655	CES-B10-SF-PLBK	<a href="#">Buy on EAN</a>