

The OMRON logo is displayed in a bold, blue, sans-serif font. The letters are thick and rounded, with the 'O' being a simple circle. The entire logo is set against a light yellow rectangular background.

Automatización Eléctrica
Especialistas en Automatización

At the end of this document you will find links to products related to this catalog. You can go directly to our shop by clicking [HERE](#). [HERE](#)

Absolute Rotary Encoder

E6C3-A

An Encoder That Offers Durability and Convenience

- IP65f drip-proof, oil-proof construction achieved with seal bearing.
- 8-mm-dia stainless steel shaft withstands a shaft loading of 80 N and 50 N respectively in the radial and thrust directions.
- Absolute Rotary Encoders have a metal slit plate to ensure high resistance to shock.
- Combining Absolute Rotary Encoders with a Programmable Controller or Cam Positioner allows ideal angle control.
- Bears CE markings (EMC Directives) and conforms to EN/IEC standards, making it suitable for the European market.



Ordering Information

Sensors

| Supply voltage | Output form | Output code | Resolution (pulse/rotation) | Connection method | Model |
|----------------|---------------------------|-------------|-----------------------------|-------------------|--------------------|
| 12 to 24VDC | NPN open collector output | Gray code | 256 | Connector type | E6C3-AG5C-C |
| | | | 256, 360, 720, 1,024 | | E6C3-AG5C |
| | | Binary | 32, 40 | | E6C3-AN5C |
| | PNP open collector output | BCD | 6, 8, 12 | | E6C3-AB5C |
| | | Gray code | 256, 360, 720, 1,024 | | E6C3-AG5B |
| | | Binary | 32, 40 | | E6C3-AN5B |
| 5 VDC | NPN voltage output | Binary | 256 | Pre-wired type | E6C3-AB5B |
| | | | | | E6C3-AN1E |
| 12 VDC | | | | | E6C3-AN2E |

Note: 1. When ordering, specify the resolution in addition to the model numbers. (Example: E6C3-AG5C 360P/R 1M)
 2. Models with 2-m cables are also available as standard products. Specify the cable length at the end of the model number. (Example: E6C3-AG5C 360P/R 2M)
 3. When connecting to the H8PS, be sure to use the E6C3-AG5C-C 256P/R.

Accessories (Order Separately)

| Item | Model | Remarks |
|------------------------|------------------|--|
| Coupling | E69-C08B | --- |
| | E69-C68B | Diameters of ends: 6 to 8 dia. |
| Flange | E69-FCA03 | --- |
| | E69-FCA04 | E69-2 Servo Mounting Bracket provided. |
| Servo Mounting Bracket | E69-2 | Provided with the E69-FCA04 Flange. |
| Extension Cable | E69-DF5 | 5 m |
| | E69-DF10 | 10 m |
| | E69-DF20 | 30 m |

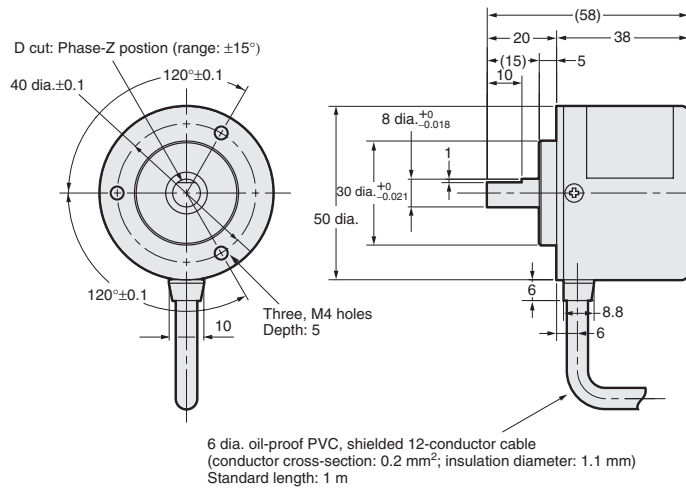
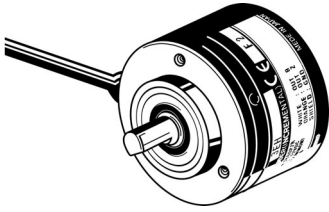
Applicable for the E6C3-AG5C-C. 15- and 98-m-long Extension Cables are also available.

Dimensions (Unit: mm)

Sensors

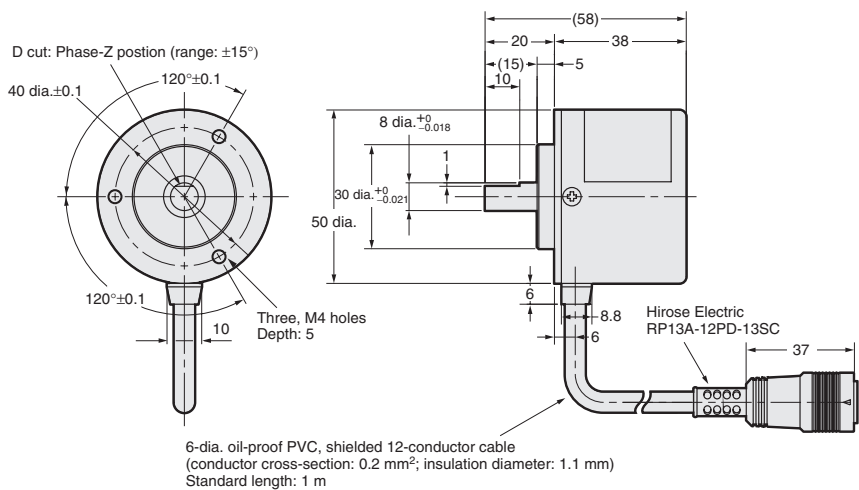
E6C3-A□5□

E6C3-AN□E



Note: E69-C08B is sold separately.

E6C3-AG5C-C



Note: E69-C08B is sold separately.

ALL DIMENSIONS SHOWN ARE IN MILLIMETERS.
To convert millimeters into inches, multiply by 0.03937. To convert grams into ounces, multiply by 0.03527.

Below is a list of articles with direct links to our shop Electric Automation Network where you can see:

- Quote per purchase volume in real time.
- Online documentation and datasheets of all products.
- Estimated delivery time enquiry in real time.
- Logistics systems for the shipment of materials almost anywhere in the world.
- Purchasing management, order record and tracking of shipments.

To access the product, [click on the green button.](#)

| Product | Code | Reference | Product link |
|---|--------|-------------------------|----------------------------|
| | 122903 | G6C-2117P-FD-US-SV 9DC | Buy on EAN |
| Temperature controller, 1/32DIN (48 x 24mm), 12VDC output, 2 alarm outputs + two event inputs, thermocouple/PT100 input, SLC | 323329 | E5GN-Q2BT-C AC100-240 | Buy on EAN |
| E5CN-M option board- RS485 communications and Control output option (voltage pulse), **only compatible with new E5CN-M models** | 169477 | | Buy on EAN |
| Flexible safety unit, advanced unit, 2 outputs (instantaneous), 2 outputs (OFF-delayed), 2 outputs (Auxiliary), Max OFF-delay time 15secs, screw terminals, 2 logical AND connections | 224260 | G9SX-ADA222-T15-RT DC24 | Buy on EAN |
| | 373274 | F3S-TGR-CL4A-014-600-01 | Buy on EAN |
| | 118970 | | Buy on EAN |