



**Automatización Eléctrica**

Especialistas en Automatización

At the end of this document you will find links to products related to this catalog. You can go directly to our shop by clicking HERE. [HERE](#)

# Anchors

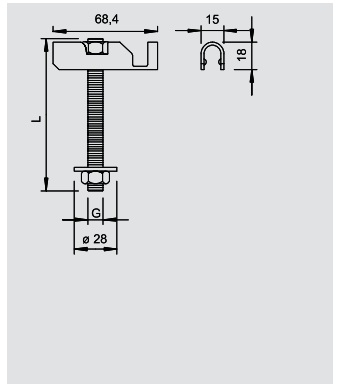


## Tilting anchor

| Type             | Thread | Dimension L | Bore hole Ø | Tensile load | Minimum cavity depth | Shipping box | Pack. | Weight      | Item No.         |
|------------------|--------|-------------|-------------|--------------|----------------------|--------------|-------|-------------|------------------|
|                  |        | mm          | mm          | kN           | mm                   | pcs          | pcs   | kg/100 pcs. |                  |
| <b>KD 8 100</b>  | M8     | 100         | 22          | 2.4          | 75                   | 25           | 25    | 11.200      | <b>3482 70 7</b> |
| <b>KD 10 100</b> | M10    | 100         | 25          | 2.4          | 75                   | 25           | 25    | 11.200      | <b>3482 75 8</b> |
| <b>KD 10 150</b> | M10    | 150         | 25          | 2.4          | 75                   | 25           | 25    | 13.500      | <b>3482 76 6</b> |

**St** Steel **G** Electrogalvanised /100 pc.

Including nut and large washer.  
The universal heavy-duty fastening for stressed concrete, hollow steel profiles, metal sheets and plates.  
Use: heating, ventilation and air conditioning technology, cooling systems, sprinkler systems, pipes, cable tracks, etc.  
\* Dependent on the thickness of the ceiling profile.

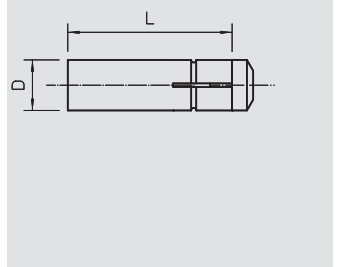


## Impact tie

| Type                   | Thread | Dimension D | Dimension L | Screw-in depth min.-max. | Perm. load range tension zone | Shipping box | Pack. | Weight      | Item No.         |
|------------------------|--------|-------------|-------------|--------------------------|-------------------------------|--------------|-------|-------------|------------------|
|                        |        | mm          | mm          | mm                       | kN                            | pcs          | pcs   | kg/100 pcs. |                  |
| <b>FZEA II 10X40 G</b> | M8     | 10          | 40          | 11-17                    | 1.6                           | 500          | 100   | 1.550       | <b>3492 03 6</b> |
| <b>FZEA II 12X40 G</b> | M10    | 12          | 40          | 13-19                    | 3                             | 500          | 100   | 2.080       | <b>3492 06 0</b> |
| <b>FZEA II 14X40 G</b> | M12    | 14          | 40          | 15-21                    | 3.6                           | 250          | 50    | 2.750       | <b>3492 09 5</b> |

**St** Steel **G** Electrogalvanised /100 pc.

Undercut steel anchor with internal thread.

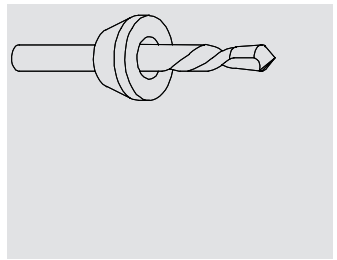


## Universal drill

| Type              | Bore hole Ø | Shipping box | Pack. | Weight      | Item No.         |
|-------------------|-------------|--------------|-------|-------------|------------------|
|                   | mm          | pcs          | pcs   | kg/100 pcs. |                  |
| <b>FZUB 10X40</b> | 10          | 10           | 1     | 11.800      | <b>3492 33 8</b> |
| <b>FZUB 12X40</b> | 12          | 10           | 1     | 12.200      | <b>3492 36 2</b> |
| <b>FZUB 14X40</b> | 14          | 10           | 1     | 12.500      | <b>3492 39 7</b> |

**St** Steel Bright /pc.

The universal drill for SDS seats guarantees correct, approved mounting of the FZEA tie.

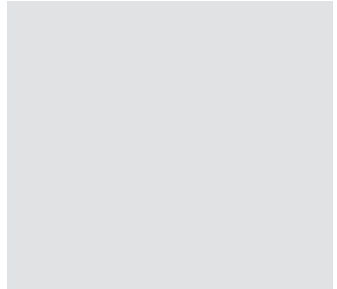


## Impact mandrel

| Type                  | Shipping box | Pack. | Weight      | Item No.         |
|-----------------------|--------------|-------|-------------|------------------|
|                       | pcs          | pcs   | kg/100 pcs. |                  |
| <b>FZED 10X40 G 5</b> | 5            | 5     | 10.500      | <b>3492 62 1</b> |
| <b>FZED 12X40 G 5</b> | 5            | 5     | 17.800      | <b>3492 66 4</b> |
| <b>FZED 14X40 G 5</b> | 5            | 5     | 25.000      | <b>3492 69 9</b> |

**St** Steel **G** Electrogalvanised /pc.

The impact mandrel guarantees correct, approved mounting of the FZEA tie.

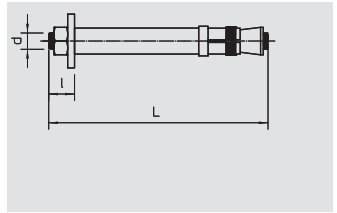


## Heavy-duty anchor

| Type               | Thread | Dimension L | Dimension d | Clamping range | Perm. load range tension zone | Shipping box | Pack. | Weight      | Item No.         |
|--------------------|--------|-------------|-------------|----------------|-------------------------------|--------------|-------|-------------|------------------|
|                    |        | mm          | mm          | mm             | kN                            | pcs          | pcs   | kg/100 pcs. |                  |
| <b>FH II 18X80</b> | M12    | 120         | 18          | 10             | 9.91                          | 10           | 10    | 20.000      | <b>3498 74 3</b> |

**St** Steel **G** Electrogalvanised /100 pc.

Heavy-duty anchor for fastening components with large loads.

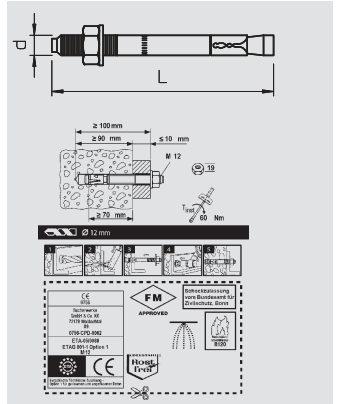


## Bolt tie

| Type                   | Thread | Dimension L | Dimension d | Clamping range | Perm. load range tension zone | Shipping box | Pack. | Weight      | Item No.         |
|------------------------|--------|-------------|-------------|----------------|-------------------------------|--------------|-------|-------------|------------------|
|                        |        | mm          | mm          | mm             | kN                            | pcs          | pcs   | kg/100 pcs. |                  |
| <b>FAZ II 8 10 GS</b>  | M8     | 75          | 8           | 10             | 2.4                           | 250          | 50    | 3.720       | <b>3498 50 6</b> |
| <b>FAZ II 10 10 GS</b> | M10    | 95          | 10          | 10             | 4.3                           | 50           | 50    | 7.680       | <b>3498 54 9</b> |
| <b>FAZ II 10 30</b>    | M10    | 115         | 10          | 30             | 4.3                           | 25           | 25    | 7.520       | <b>3498 58 1</b> |
| <b>FAZ II 12 10</b>    | M12    | 110         | 12          | 10             | 7.6                           | 20           | 20    | 10.400      | <b>3498 65 4</b> |

**St** Steel **G** Electrogalvanised /100 pc.

Bolt tie for fastening high loads. Matches OBO mounting systems and wall support brackets and supports.





Below is a list of articles with direct links to our shop Electric Automation Network where you can see:

- Quote per purchase volume in real time.
- Online documentation and datasheets of all products.
- Estimated delivery time enquiry in real time.
- Logistics systems for the shipment of materials almost anywhere in the world.
- Purchasing management, order record and tracking of shipments.

To access the product, [click on the green button](#).

| Product                                                                              | Code    | Reference       | Product link               |
|--------------------------------------------------------------------------------------|---------|-----------------|----------------------------|
| Knock-in anchor for threaded rod M8, 10x40, Electrogalvanised, DIN 50961, Steel, St  | 3492036 | FZEA II 10X40 G | <a href="#">Buy on EAN</a> |
| Knock-in anchor for threaded rod M10, 12x40, Electrogalvanised, DIN 50961, Steel, St | 3492060 | FZEA II 12X40 G | <a href="#">Buy on EAN</a> |
| Knock-in anchor for threaded rod M12, 14x40, Electrogalvanised, DIN 50961, Steel, St | 3492095 | FZEA II 14X40 G | <a href="#">Buy on EAN</a> |
| Bolt anchor with large washer, M8x77mm, Electrogalvanised, DIN 50961, Steel, St      | 3498506 | FAZ II 8 10 GS  | <a href="#">Buy on EAN</a> |
| Bolt anchor with large washer, M10x95mm, Electrogalvanised, DIN 50961, Steel, St     | 3498549 | FAZ II 10 10 GS | <a href="#">Buy on EAN</a> |
| Bolt anchor , M10x115mm, Electrogalvanised, DIN 50961, Steel, St                     | 3498581 | FAZ II 10 30    | <a href="#">Buy on EAN</a> |
| Bolt anchor , M12x110mm, Electrogalvanised, DIN 50961, Steel, St                     | 3498654 | FAZ II 12 10    | <a href="#">Buy on EAN</a> |