



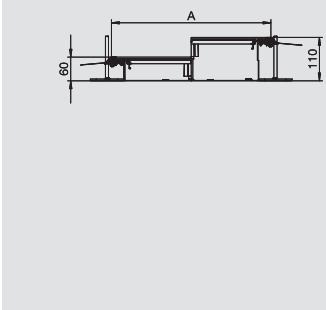
**Automatización Eléctrica**

Especialistas en Automatización

At the end of this document you will find links to products related to this catalog. You can go directly to our shop by clicking HERE. [HERE](#)

# OKA-W installation trunking with floor trough

Ready-to-mount trunking unit for cable routing, with floor trough, with two side profiles and floor covering contact profiles with H = 3 mm. Floor trough with holding straps for self-contacting mounting of separating retainers. The scope of supply contains six height-adjustable wall fastening brackets, six screed anchors and three lid butt seals for nominal trunking widths 200 and 300 or three height-adjustable lid butt supports for nominal trunking widths 400 and six height-adjustable cover joint supports for nominal trunking widths 500 and 600. Trunking lid screwed down when delivered.

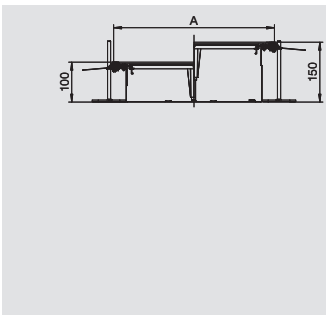
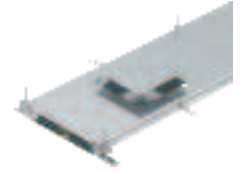


## Trunking unit for GES9, height 60–110 mm

Type	Width mm	Length mm	Trunking height mm	Covers pc.	Pack. m	Weight kg/100 m	Item No.
<b>OKA-W4006050D9</b>	400	2400	60-110	3	2.4	1.785.42	<b>7424 72 0</b>
<b>OKA-W5006050D9</b>	500	2400	60-110	6	2.4	2.168.8	<b>7424 72 2</b>
<b>OKA-W6006050D9</b>	600	2400	60-110	6	2.4	2580.000	<b>7424 72 4</b>

**St** Steel **FS** Strip-galvanised /m

With three (for nominal trunking width 400, L = 800 mm) or six device installation lids (for nominal trunking widths 500 and 600, L = 400 mm) each with one installation opening for a square installation unit of nominal size 9 or 9/55.

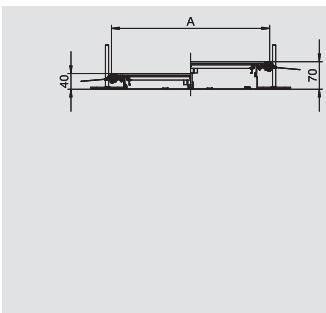
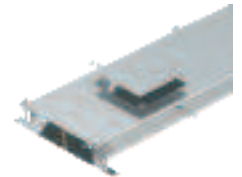


## Trunking unit for GES9, height 100–150 mm

Type	Width mm	Length mm	Trunking height mm	Covers pc.	Pack. m	Weight kg/100 m	Item No.
<b>OKA-W40010050D9</b>	400	2400	100-150	3	2.4	1.847.9	<b>7424 74 0</b>
<b>OKA-W50010050D9</b>	500	2400	100-150	6	2.4	2.234.6	<b>7424 74 2</b>
<b>OKA-W60010050D9</b>	600	2400	100-150	6	2.4	2.645.4	<b>7424 74 4</b>

**St** Steel **FS** Strip-galvanised /m

With three (for nominal trunking width 400, L = 800 mm) or six device installation lids (for nominal trunking widths 500 and 600, L = 400 mm) each with one installation opening for a square installation unit of nominal size 9 or 9/55.

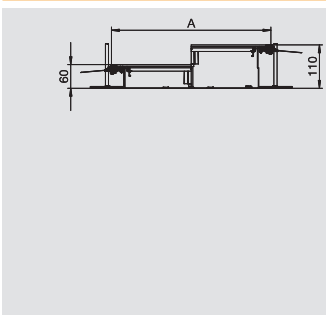
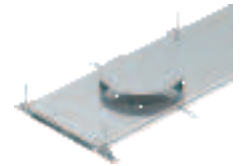


## Trunking unit for GESR9, height 40–70 mm

Type	Width mm	Length mm	Trunking height mm	Covers pc.	Pack. m	Weight kg/100 m	Item No.
<b>OKA-W4004030DR9</b>	400	2400	40-70	3	2.4	1.704.2	<b>7424 76 0</b>
<b>OKA-W5004030DR9</b>	500	2400	40-70	6	2.4	2.083.3	<b>7424 76 2</b>
<b>OKA-W6004030DR9</b>	600	2400	40-70	6	2.4	2.481.7	<b>7424 76 4</b>

**St** Steel **FS** Strip-galvanised /m

With three (for nominal trunking width 400, L = 800 mm) or six device installation lids (for nominal trunking widths 500 and 600, L = 400 mm) each with one installation opening for a round installation unit of nominal size R9/55.

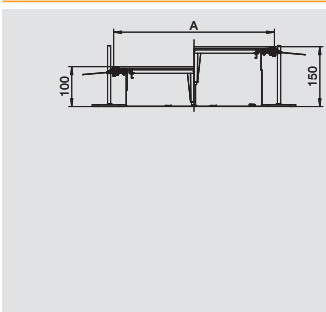


## Trunking unit for GESR9, height 60–110 mm

Type	Width mm	Length mm	Trunking height mm	Covers pc.	Pack. m	Weight kg/100 m	Item No.
<b>OKA-W4006050DR9</b>	400	2400	60-110	3	2.4	1.764.6	<b>7424 78 0</b>
<b>OKA-W5006050DR9</b>	500	2400	60-110	6	2.4	2.126.3	<b>7424 78 2</b>
<b>OKA-W6006050DR9</b>	600	2400	60-110	6	2.4	2.537.5	<b>7424 78 4</b>

**St** Steel **FS** Strip-galvanised /m

With three (for nominal trunking width 400, L = 800 mm) or six device installation lids (for nominal trunking widths 500 and 600, L = 400 mm) each with one installation opening for a round installation unit of nominal size R9 or R9/55.

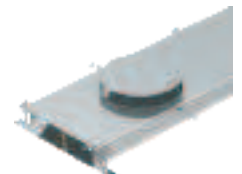


## Trunking unit for GESR9, height 100–150 mm

Type	Width mm	Length mm	Trunking height mm	Covers pc.	Pack. m	Weight kg/100 m	Item No.
<b>OKA-W40010050DR9</b>	400	2400	100-150	3	2.4	1.827.1	<b>7424 80 0</b>
<b>OKA-W50010050DR9</b>	500	2400	100-150	6	2.4	2.192.1	<b>7424 80 2</b>
<b>OKA-W60010050DR9</b>	600	2400	100-150	6	2.4	2.602.9	<b>7424 80 4</b>

**St** Steel **FS** Strip-galvanised /m

With three (for nominal trunking width 400, L = 800 mm) or six device installation lids (for nominal trunking widths 500 and 600, L = 400 mm) each with one installation opening for a round installation unit of nominal size R9 or R9/55.





Below is a list of articles with direct links to our shop Electric Automation Network where you can see:

- Quote per purchase volume in real time.
- Online documentation and datasheets of all products.
- Estimated delivery time enquiry in real time.
- Logistics systems for the shipment of materials almost anywhere in the world.
- Purchasing management, order record and tracking of shipments.

To access the product, [click on the green button](#).

Product	Code	Reference	Product link
Flushfloor trunking unit for service unit GES9, 2400x400x60, Strip-galvanised, DIN EN 10147, Steel, St	7424720	OKA-W4006050D9	<a href="#">Buy on EAN</a>
Flushfloor trunking unit for service unit GES9, 2400x500x60, Strip-galvanised, DIN EN 10147, Steel, St	7424722	OKA-W5006050D9	<a href="#">Buy on EAN</a>
Flushfloor trunking unit for service unit GES9, 2400x600x60, Strip-galvanised, DIN EN 10147, Steel, St	7424724	OKA-W6006050D9	<a href="#">Buy on EAN</a>
Flushfloor trunking unit for service unit GES9, 2400x400x100, Strip-galvanised, DIN EN 10147, Steel, St	7424740	OKA-W40010050D9	<a href="#">Buy on EAN</a>
Flushfloor trunking unit for service unit GES9, 2400x500x100, Strip-galvanised, DIN EN 10147, Steel, St	7424742	OKA-W50010050D9	<a href="#">Buy on EAN</a>
Flushfloor trunking unit for service unit GES9, 2400x600x100, Strip-galvanised, DIN EN 10147, Steel, St	7424744	OKA-W60010050D9	<a href="#">Buy on EAN</a>
Flushfloor trunking unit for service unit GESR9, 2400x400x40, Strip-galvanised, DIN EN 10147, Steel, St	7424760	OKA-W4004030DR9	<a href="#">Buy on EAN</a>
Flushfloor trunking unit for service unit GESR9, 2400x500x40, Strip-galvanised, DIN EN 10147, Steel, St	7424762	OKA-W5004030DR9	<a href="#">Buy on EAN</a>
Flushfloor trunking unit for service unit GESR9, 2400x600x40, Strip-galvanised, DIN EN 10147, Steel, St	7424764	OKA-W6004030DR9	<a href="#">Buy on EAN</a>
Flushfloor trunking unit for service unit GESR9, 2400x400x60, Strip-galvanised, DIN EN 10147, Steel, St	7424780	OKA-W4006050DR9	<a href="#">Buy on EAN</a>

Flushfloor trunking unit for service unit GESR9, 2400x500x60, Strip-galvanised, DIN EN 10147, Steel, St	7424782	OKA-W5006050DR9	<a href="#">Buy on EAN</a>
Flushfloor trunking unit for service unit GESR9, 2400x600x60, Strip-galvanised, DIN EN 10147, Steel, St	7424784	OKA-W6006050DR9	<a href="#">Buy on EAN</a>
Flushfloor trunking unit for service unit GESR9, 2400x400x100, Strip-galvanised, DIN EN 10147, Steel, St	7424800	OKA-W40010050DR9	<a href="#">Buy on EAN</a>
Flushfloor trunking unit for service unit GESR9, 2400x500x100, Strip-galvanised, DIN EN 10147, Steel, St	7424802	OKA-W50010050DR9	<a href="#">Buy on EAN</a>
Flushfloor trunking unit for service unit GESR9, 2400x600x100, Strip-galvanised, DIN EN 10147, Steel, St	7424804	OKA-W60010050DR9	<a href="#">Buy on EAN</a>