



**Automatización Eléctrica**

Especialistas en Automatización

At the end of this document you will find links to products related to this catalog. You can go directly to our shop by clicking HERE. [HERE](#)

# Insulated lightning protection



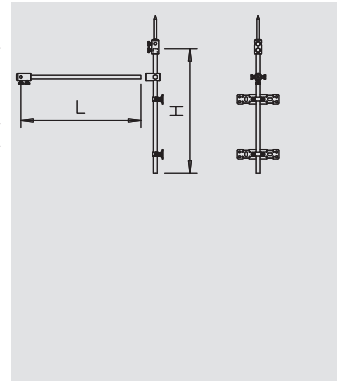
## Insulated lightning protection set, 3-corner fastening

Type	Dimension D Ø mm	Dimension L mm	Dimension H mm	Pack. pcs	Weight kg/100 pcs.	Item No.
<b>101 3-ES-16</b>	16	750	1,500	1	207.100	<b>5408 97 6</b>

/pc.

3-corner fastening for an insulated interception unit at the separating distance  $s$ .

- Mounting on walls and roof structures with two fastening plates
- Acceptance of interception rods and round cables with 8, 16 and 20 mm diameter



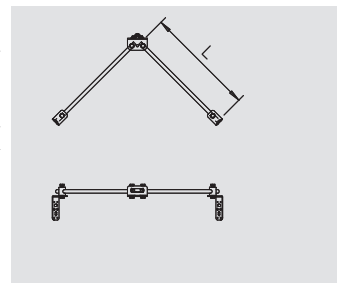
## Insulated lightning protection set, V fastening

Type	Dimension D Ø mm	Dimension L mm	Pack. pcs	Weight kg/100 pcs.	Item No.
<b>101 VS-16</b>	16	750	1	201.800	<b>5408 97 8</b>

/pc.

V fastening for an insulated interception unit at the separating distance  $s$ .

- Mounting on walls and roof structures with two wall connection brackets
- Acceptance of interception rods and round cables with 8, 16 and 20 mm diameter



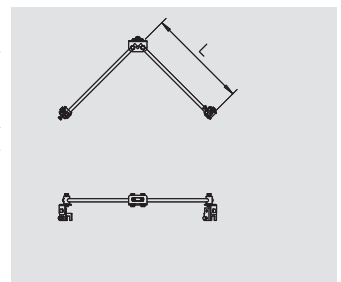
## Insulated lightning protection set, IR fastening

Type	Dimension D Ø mm	Dimension L mm	Pack. pcs	Weight kg/100 pcs.	Item No.
<b>101 FS-16</b>	16	750	1	235.500	<b>5408 98 0</b>

/pc.

Fold fastening for insulated interception unit at separating spacing  $s$ .

- Mounting on folds with thicknesses of up to 20 mm.
- Seat for interception rods and round cables of 8, 16 and 20 mm diameter

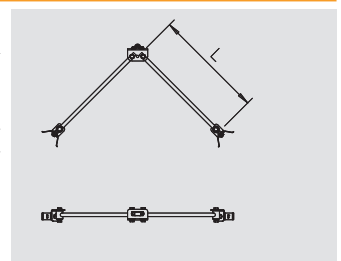


## Insulated lightning protection set, VRS fastening

Type	Dimension D Ø mm	Dimension L mm	Pack. pcs	Weight kg/100 pcs.	Item No.
<b>101 VRS-16</b>	16	750	1	209.400	<b>5408 98 2</b>

/pc.

Pipe V fastening: For an insulated interceptor unit at the separation distance, see mounting on pipes with two pipe clips. To accept interception rods and round conductors of 8, 16 and 20 mm diameter.



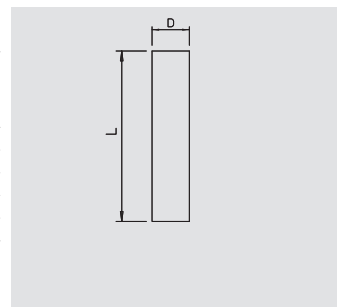
## Insulating rod

Type	Nominal size Ø mm	Length mm	Pack. pcs	Weight kg/100 pcs.	Item No.
<b>101 20-3000</b>	20	3,000	5	190.000	<b>5408 10 5</b>
<b>101 20-6000</b>	20	6,000	5	380.000	<b>5408 14 8</b>
<b>101 16-750</b>	16	750	5	30.000	<b>5408 10 7</b>
<b>101 16-1500</b>	16	1,500	5	60.000	<b>5408 10 8</b>
<b>101 16-3000</b>	16	3,000	5	120.000	<b>5408 10 9</b>

**GFK** Fibre-glass-reinforced plastic

/pc.

To erect insulated interception devices to VDE 0185-305 (IEC 62305),  $km = 0.7$



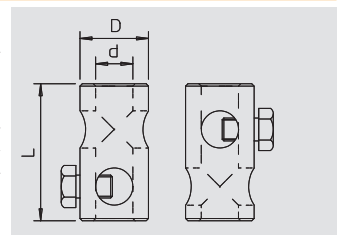
## T connector

Type	Dimension d Ø mm	Length mm	Dimension D Ø mm	Pack. pcs	Weight kg/100 pcs.	Item No.
<b>101 IT</b>	20	65	40	10	20.000	<b>5408 15 6</b>
<b>101 IT-16</b>	16	60	30	10	11.475	<b>5408 15 8</b>

**Al** Aluminium

/pc.

T-link for installation of insulation rods.





Below is a list of articles with direct links to our shop Electric Automation Network where you can see:

- Quote per purchase volume in real time.
- Online documentation and datasheets of all products.
- Estimated delivery time enquiry in real time.
- Logistics systems for the shipment of materials almost anywhere in the world.
- Purchasing management, order record and tracking of shipments.

To access the product, [click on the green button.](#)

<b>Product</b>	<b>Code</b>	<b>Reference</b>	<b>Product link</b>
Insulating rod , 3000mm, Fibre-glass-reinforced plastic, GFK	5408105	101 20-3000	<a href="#">Buy on EAN</a>
Insulating rod , 6000mm, Fibre-glass-reinforced plastic, GFK	5408148	101 20-6000	<a href="#">Buy on EAN</a>
T-connector , Aluminium, Alu	5408156	101 IT	<a href="#">Buy on EAN</a>