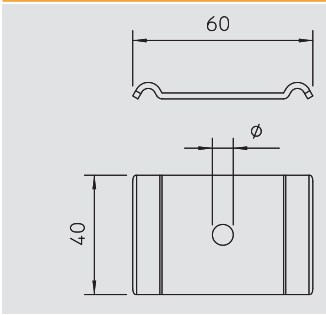




Automatización Eléctrica

Especialistas en Automatización

At the end of this document you will find links to products related to this catalog. You can go directly to our shop by clicking HERE. [HERE](#)



Hold-down clamp

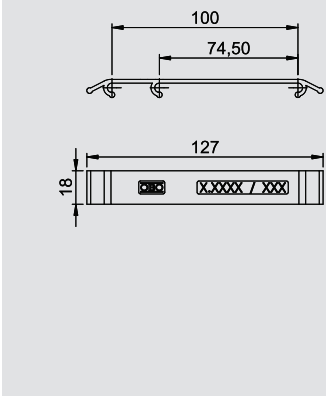
Type	Hole- Ø mm	Pack. pcs	Weight kg/100 pcs.	Item No.
GKS 50 11 V4A	11	50	4.000	6015 28 0

V4A Stainless steel, grade 316 L

/pc.

Clamp for fastening mesh cable trays.

Use on mesh cable trays with 50 x 100 mm grid only.



Identification clip

Type	Colour	Pack. pcs	Weight kg/100 pcs.	Item No.
KS GR LGR	Light grey	10	0.920	6017 71 0
KS GR VKG	Traffic grey B	10	0.920	6017 71 1
KS GR OR	Pastel orange	10	0.920	6017 71 2
KS GR ZGB	Zinc yellow	10	0.920	6017 71 3
KS GR LBL	Light blue	10	0.920	6017 71 4
KS GR SGN	Signal green	10	0.920	6017 71 5

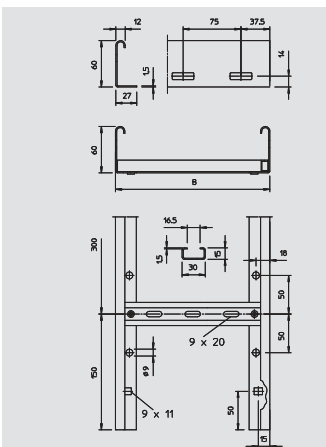
PA Polyamide

/pc.

Identification clip for screwless fastening on mesh cable trays.

Versions in light grey and stone grey with labelling of SS304 and SS316 or in zinc yellow, pastel orange, light blue and signal green for labelling.

The identification clip is fastened to the mesh cable tray without screws simply by attaching it.



Cable ladder LG 60

Type	Width mm	Rail thickness mm	Length mm	Useful cross- section cm ²	Appr. load:				Weight kg/100 m	Item No.
					2.0 m kN/m	2.5 m kN/m	3.0 m kN/m	4.0 m kN/m		
LG 620 VS VA4571	200	1.5	6,000	98	2.25	1.5	1	0.4	273.800	6101 20 0
LG 630 VS VA4571	300	1.5	6,000	148	2.25	1.5	1	0.4	298.000	6101 20 8
LG 640 VS VA4571	400	1.5	6,000	198	2.25	1.5	1	0.4	322.200	6101 21 6
LG 650 VS VA4571	500	1.5	6,000	248	2.25	1.5	1	0.4	346.300	6101 22 3
LG 660 VS VA4571	600	1.5	6,000	298	2.25	1.5	1	0.4	378.300	6101 23 2

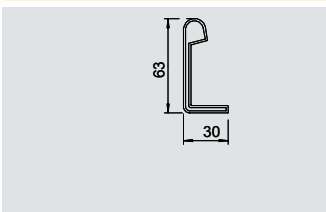
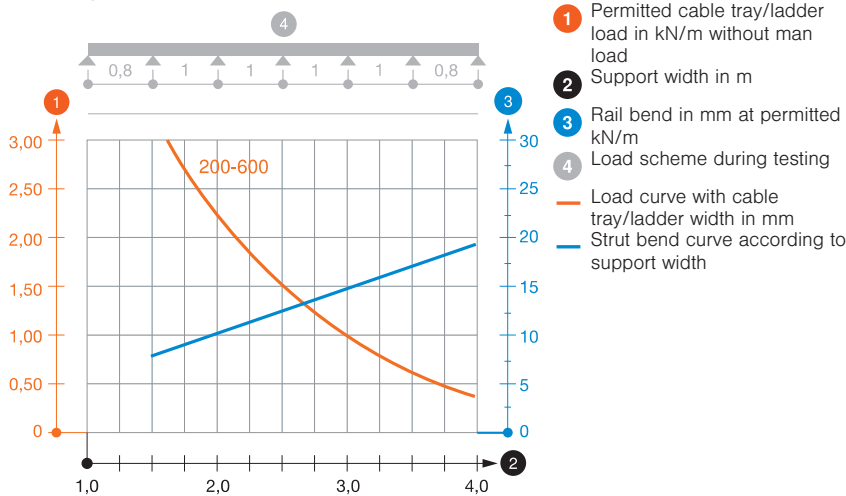
V4A Stainless steel, grade 316 Ti

/m

Cable ladder with perforated side rail of side height 60 mm with riveted C profile rungs, open in an upwards direction (VS version).

Magnetic shield insulation without cover 10 dB, with cover 15 dB.

Load diagram, LG 60 VS



End cap

Type	Colour	Pack. pair	Weight kg/100 pairs	Item No.
SKH 60 OR	Pastel orange	40	1.100	6222 53 7

PE Polyethylene

/pair

End cap to cover cable ladder ends of side height 60 mm.





Below is a list of articles with direct links to our shop Electric Automation Network where you can see:

- Quote per purchase volume in real time.
- Online documentation and datasheets of all products.
- Estimated delivery time enquiry in real time.
- Logistics systems for the shipment of materials almost anywhere in the world.
- Purchasing management, order record and tracking of shipments.

To access the product, [click on the green button.](#)

Product	Code	Reference	Product link
Clamping piece for screw M10, 60x40, Stainless steel, grade 316 L, VA, 1.4404	6015280	GKS 50 11 V4A	Buy on EAN
Identification plate for mesh cable trays V2A, 127x18, Light grey, 7035, Polyamide, PA	6017710	KS GR LGR	Buy on EAN
Identification plate for mesh cable trays V4A, 127x18, Traffic grey B, 7043, Polyamide, PA	6017711	KS GR VKG	Buy on EAN
Identification plate for mesh cable trays, 127x18, Pastel orange, 2003, Polyamide, PA	6017712	KS GR OR	Buy on EAN
Identification plate for mesh cable trays, 127x18, Zinc yellow, 1018, Polyamide, PA	6017713	KS GR ZGB	Buy on EAN
Identification plate for mesh cable trays, 127x18, Light blue, 5012, Polyamide, PA	6017714	KS GR LBL	Buy on EAN
Identification plate for mesh cable trays, 127x18, Signal green, 6032, Polyamide, PA	6017715	KS GR SGN	Buy on EAN
Protective cap for cable ladder, H60mm, Pastel orange, 2003, Polyethylene, PE	6222537	SKH 60 OR	Buy on EAN