

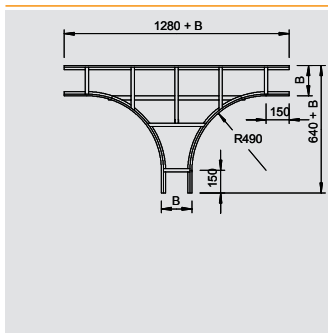


Automatización Eléctrica

Especialistas en Automatización

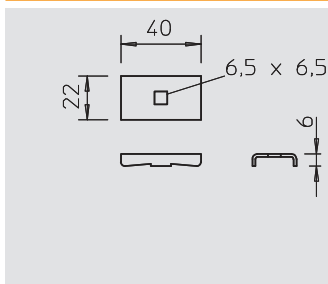
At the end of this document you will find links to products related to this catalog. You can go directly to our shop by clicking HERE. [HERE](#)

Stainless steel components, grade 304



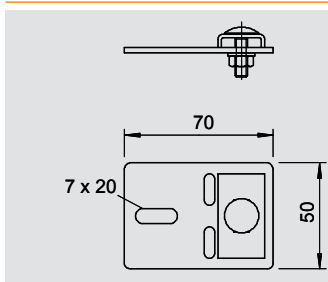
Type	Width mm	Pack. pcs	Weight kg/100 pcs.	Tee
				Item No.
LT 620 VS VA4301	200	1	677.000	7162 02 2
LT 630 VS VA4301	300	1	795.000	7162 04 9
LT 640 VS VA4301	400	1	879.000	7162 05 7
LT 650 VS VA4301	500	1	962.000	7162 07 3
LT 660 VS VA4301	600	1	1,104.000	7162 08 1

V2A Stainless steel, grade 304 /pc.
Horizontal tee, for cable ladders with VS rungs and a side height of 60 mm.
Connectors should be ordered separately and in the appropriate quantity.



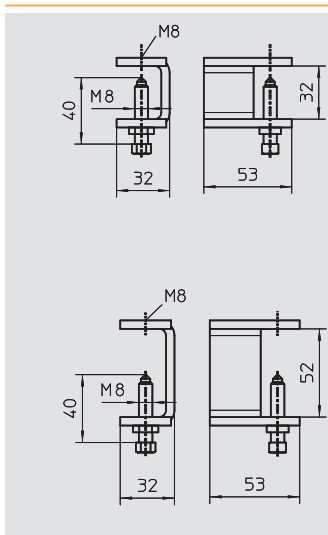
Type	Pack. pcs	Weight kg/100 pcs.	Hold-down clamp
			Item No.
LKS 40 VA4301	10	2.500	6017 13 4

V2A Stainless steel, grade 304 /pc.
Clamp for fastening cable ladders.



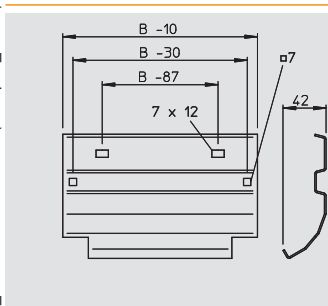
Type	Pack. pcs	Weight kg/100 pcs.	Support
			Item No.
LAL 70 VA4301	20	10.200	6221 01 7

V2A Stainless steel, grade 304 /pc.
Support for fastening rising or falling cable ladders.



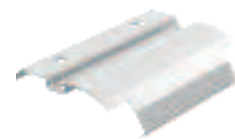
Type	Pack. pcs	Weight kg/100 pcs.	Beam clamp for cable ladders
			Item No.
KLL 32 VA4301	40	17.100	6221 06 3

V2A Stainless steel, grade 304 /pc.
Beam clamp for fastening cable ladders to steel girders.



Type	Width mm	Pack. pcs	Weight kg/100 pcs.	Drop-out plate
				Item No.
LAB 20 VA4301	200	20	26.000	7164 01 7
LAB 30 VA4301	300	25	38.000	7164 02 5
LAB 40 VA4301	400	25	50.000	7164 03 3
LAB 50 VA4301	500	15	63.000	7164 04 1
LAB 60 VA4301	600	15	75.000	7164 06 8

V2A Stainless steel, grade 304 /pc.
Exit plate for installation on the rung for vertically exiting cables.



Stainless steel systems, grade 304



Below is a list of articles with direct links to our shop Electric Automation Network where you can see:

- Quote per purchase volume in real time.
- Online documentation and datasheets of all products.
- Estimated delivery time enquiry in real time.
- Logistics systems for the shipment of materials almost anywhere in the world.
- Purchasing management, order record and tracking of shipments.

To access the product, [click on the green button](#).

Product	Code	Reference	Product link
Clamping piece for cable ladder LG45 and LG60, Stainless steel, grade 304, VA, 1.4301	6017134	LKS 40 VA4301	Buy on EAN
Support for cable ladder, 70x50, Stainless steel, grade 304, VA, 1.4301	6221017	LAL 70 VA4301	Buy on EAN
Clamping piece for cable ladder, 32x88x5, Stainless steel, grade 304, VA, 1.4301	6221063	KLL 32 VA4301	Buy on EAN
Clamping piece for cable ladder, 52x88x5, Stainless steel, grade 304, VA, 1.4301	6221073	KLL 52 VA4301	Buy on EAN
T-piece for cable ladder with VS rungs, 60x200, Stainless steel, grade 304, VA, 1.4301	7162022	LT 620 VS VA4301	Buy on EAN
T-piece for cable ladder with VS rungs, 60x300, Stainless steel, grade 304, VA, 1.4301	7162049	LT 630 VS VA4301	Buy on EAN
T-piece for cable ladder with VS rungs, 60x400, Stainless steel, grade 304, VA, 1.4301	7162057	LT 640 VS VA4301	Buy on EAN
T-piece for cable ladder with VS rungs, 60x500, Stainless steel, grade 304, VA, 1.4301	7162073	LT 650 VS VA4301	Buy on EAN
T-piece for cable ladder with VS rungs, 60x600, Stainless steel, grade 304, VA, 1.4301	7162081	LT 660 VS VA4301	Buy on EAN
Outgoing plate for cable ladder, B200mm, Stainless steel, grade 304, VA, 1.4301	7164017	LAB 20 VA4301	Buy on EAN
Outgoing plate for cable ladder, B300mm, Stainless steel, grade 304, VA, 1.4301	7164025	LAB 30 VA4301	Buy on EAN
Outgoing plate for cable ladder, B400mm, Stainless steel, grade 304, VA, 1.4301	7164033	LAB 40 VA4301	Buy on EAN
Outgoing plate for cable ladder, B500mm, Stainless steel, grade 304, VA, 1.4301	7164041	LAB 50 VA4301	Buy on EAN
Outgoing plate for cable ladder, B600mm, Stainless steel, grade 304, VA, 1.4301	7164068	LAB 60 VA4301	Buy on EAN