



**Automatización Eléctrica**

Especialistas en Automatización

At the end of this document you will find links to products related to this catalog. You can go directly to our shop by clicking HERE. [HERE](#)

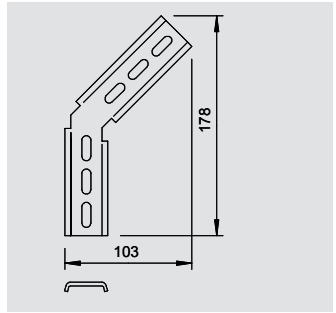
# Stainless steel components, grade 304



## 45° mounting angle

Type	Pack.	Weight	Item No.
MW 45 SL10VA4301	50	20.000	6017 33 9

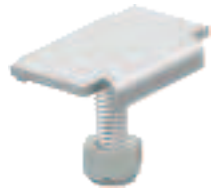
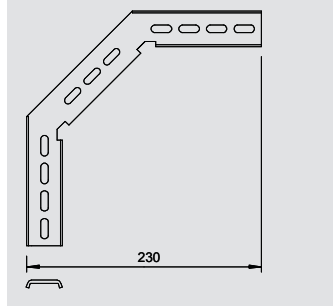
V2A Stainless steel, grade 304 /pc.  
 45° installation profile, vertical, for C mesh cable tray and GR-Magic mesh cable tray with a side height of 55 mm.  
 Each with two clamps of type KS 23/35.



## 90° mounting angle

Type	Pack.	Weight	Item No.
MW 90 SL17VA4301	50	27.000	6016 27 8
MW 90 SL23VA4301	25	34.700	6016 30 8

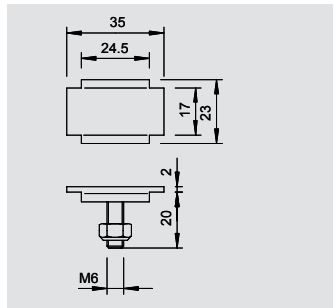
V2A Stainless steel, grade 304 /pc.  
 90° installation profile, vertical, for C mesh cable tray and GR-Magic mesh cable tray with a side height of 55 mm.  
 Each with two clamps of type KS 23/35.



## Clamp

Type	Pack.	Weight	Item No.
KS 23 35 VA4301	100	2.015	6016 52 9

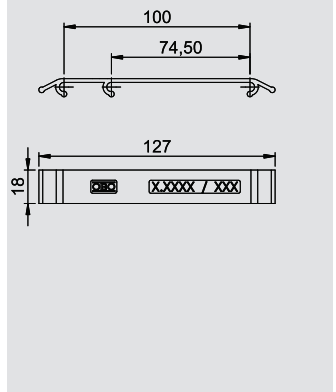
V2A Stainless steel, grade 304 /pc.  
 Clamp for mounting angle, type MW 45 and MW 90.  
 Including M6 locknut.



## Identification clip

Type	Colour	Pack.	Weight	Item No.
KS GR LGR	Light grey	10	0.920	6017 71 0
KS GR VKG	Traffic grey B	10	0.920	6017 71 1
KS GR OR	Pastel orange	10	0.920	6017 71 2
KS GR ZGB	Zinc yellow	10	0.920	6017 71 3
KS GR LBL	Light blue	10	0.920	6017 71 4
KS GR SGN	Signal green	10	0.920	6017 71 5

PA Polyamide /pc.  
 Identification clip for screwless fastening on mesh cable trays.  
 Versions in light grey and stone grey with labelling of SS304 and SS316 or in zinc yellow, pastel orange, light blue and signal green for labelling.  
 The identification clip is fastened to the mesh cable tray without screws simply by attaching it.





Below is a list of articles with direct links to our shop Electric Automation Network where you can see:

- Quote per purchase volume in real time.
- Online documentation and datasheets of all products.
- Estimated delivery time enquiry in real time.
- Logistics systems for the shipment of materials almost anywhere in the world.
- Purchasing management, order record and tracking of shipments.

To access the product, [click on the green button](#).

Product	Code	Reference	Product link
90° installation angle for C-mesh cable tray, 170x170, Stainless steel, grade 304, VA, 1.4301	6016278	MW 90 SL17VA4301	<a href="#">Buy on EAN</a>
90° installation angle for C-mesh cable tray, 230x230, Stainless steel, grade 304, VA, 1.4301	6016308	MW 90 SL23VA4301	<a href="#">Buy on EAN</a>
Clamping piece for C-mesh cable tray, M6x20, Stainless steel, grade 304, VA, 1.4301	6016529	KS 23 35 VA4301	<a href="#">Buy on EAN</a>
45° installation angle for C-mesh cable tray, 178x103, Stainless steel, grade 304, VA, 1.4301	6017339	MW 45 SL10VA4301	<a href="#">Buy on EAN</a>
Identification plate for mesh cable trays V2A, 127x18, Light grey, 7035, Polyamide, PA	6017710	KS GR LGR	<a href="#">Buy on EAN</a>
Identification plate for mesh cable trays V4A, 127x18, Traffic grey B, 7043, Polyamide, PA	6017711	KS GR VKG	<a href="#">Buy on EAN</a>
Identification plate for mesh cable trays, 127x18, Pastel orange, 2003, Polyamide, PA	6017712	KS GR OR	<a href="#">Buy on EAN</a>
Identification plate for mesh cable trays, 127x18, Zinc yellow, 1018, Polyamide, PA	6017713	KS GR ZGB	<a href="#">Buy on EAN</a>
Identification plate for mesh cable trays, 127x18, Light blue, 5012, Polyamide, PA	6017714	KS GR LBL	<a href="#">Buy on EAN</a>
Identification plate for mesh cable trays, 127x18, Signal green, 6032, Polyamide, PA	6017715	KS GR SGN	<a href="#">Buy on EAN</a>