

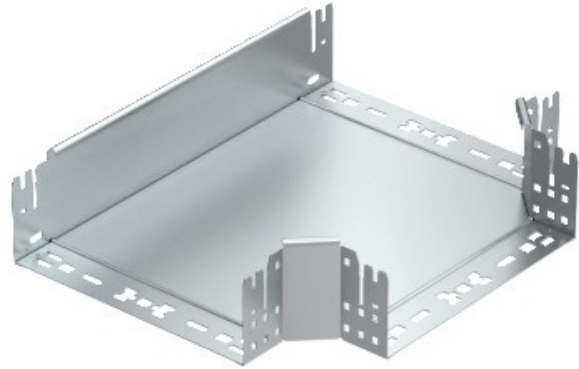


Electric Automation
Automation specialists

Reference: RTM 150 FS
Code: 6042020

T-branch piece with quick connector,
110x500, Strip-galvanised, DIN EN
10147, Steel, St

Buy it at [Electric Automation Network](#)



T branch piece with quick connector system. For all cable tray types of 110 mm side height.