

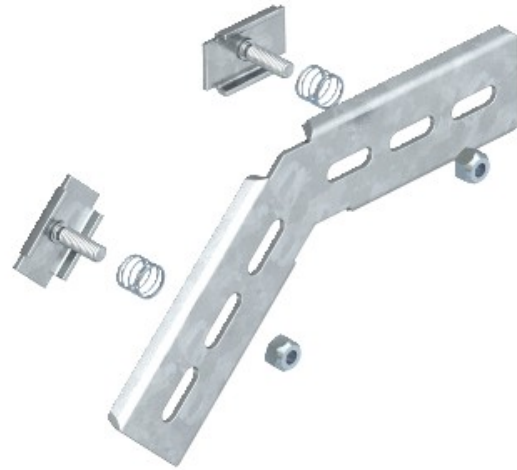


Electric Automation
Automation specialists

Reference: MW 45 SL10 FT
Code: 6017320

45° installation angle for C-mesh cable tray, 178x103, Hot-dip galvanised, DIN EN ISO 1461, Steel, St

Buy it at [Electric Automation Network](#)



Each with two clamps of type KS 23/35.