

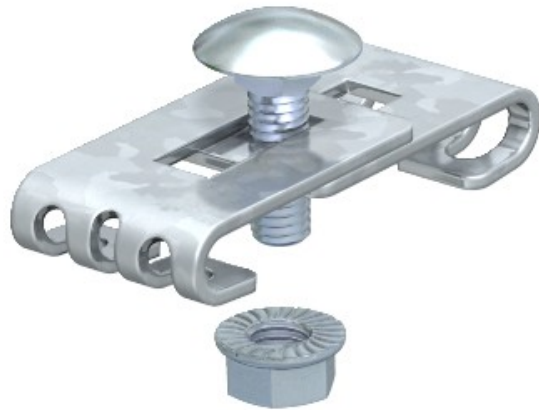


**Electric Automation**  
Automation specialists

Reference: GEV 36 FT  
Code: 6016723

Corner connector for mesh cable tray,  
Hot-dip galvanised, DIN EN ISO 1461,  
Steel, St

Buy it at [Electric Automation Network](#)



Including FRS M6 x 12 bolt with flange nut