



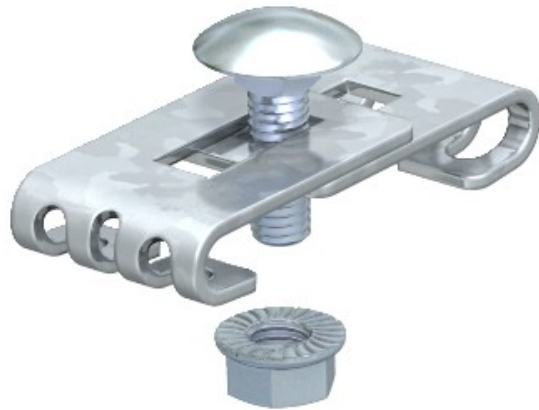
**Electric Automation**  
Automation specialists

Reference: GEV 36 G

Code: 6016715

Corner connector for mesh cable tray,  
Electro galvanised, DIN 50961, Steel, St

[Buy it at Electric Automation Network](#)



Including FRS M6 x 12 bolt with flange nut