

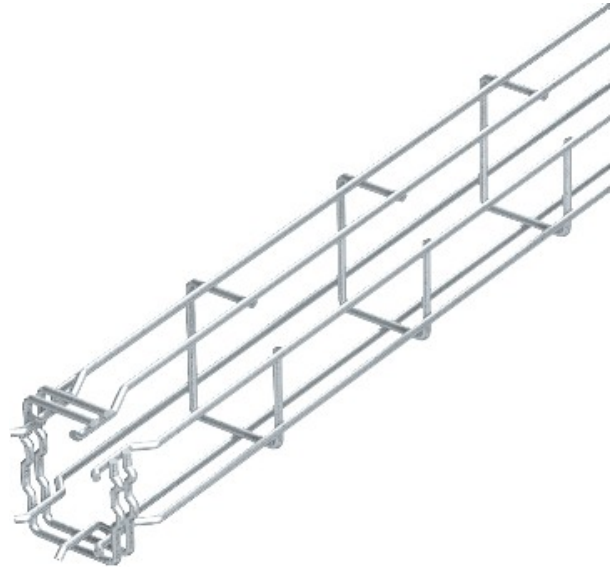


Electric Automation
Automation specialists

Reference: G-GRM 50 50 G
Code: 6005535

G mesh cable tray Magic , 50x50x3000,
Electroalvanised, DIN 50961, Steel, St

[Buy it at Electric Automation Network](#)



G-shaped mesh cable tray made of spot-welded steel wire with different side heights and width. Bracket mounting or direct wall or ceiling mounting possible. Load capacity details regarding the different mounting methods are available upon request.