

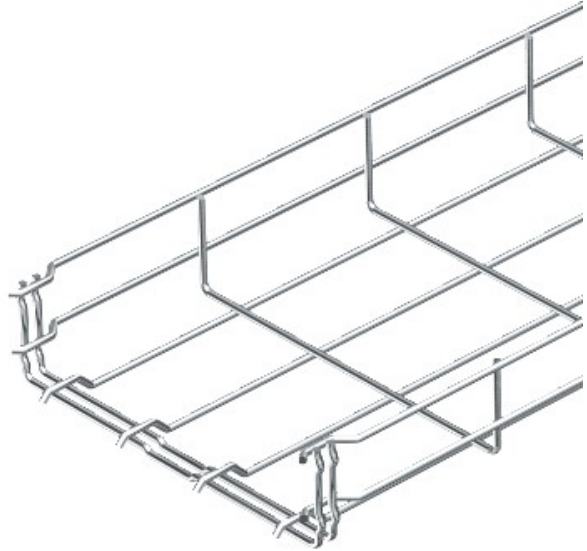


**Electric Automation**  
Automation specialists

Reference: GRM 55 450 G  
Code: 6001451

Mesh cable tray GRM , 55x450x3000,  
Electrogalvanised, DIN 50961, Steel, St

Buy it at [Electric Automation Network](#)



Magnetic shield insulation without cover 15 dB, with cover 25 dB. You can find detailed information regarding the UL classification in the respective certification.