

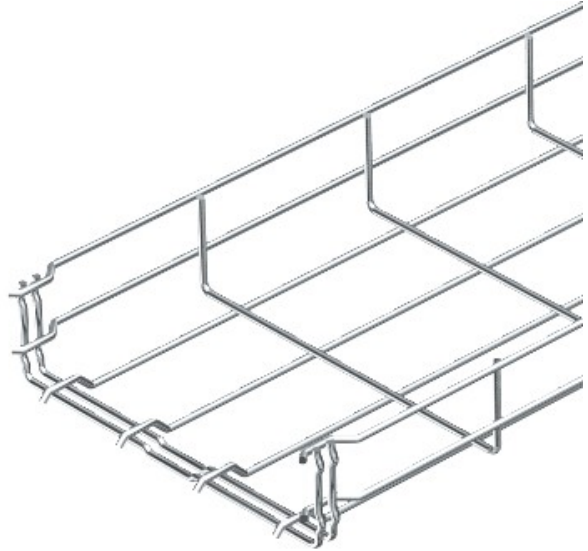


Electric Automation
Automation specialists

Reference: GRM 55 300 G
Code: 6001448

Mesh cable tray GRM , 55x300x3000,
Electrogalvanised, DIN 50961, Steel, St

Buy it at [Electric Automation Network](#)



Magnetic shield insulation without cover 15 dB, with cover 25 dB. You can find detailed information regarding the UL classification in the respective certification.