



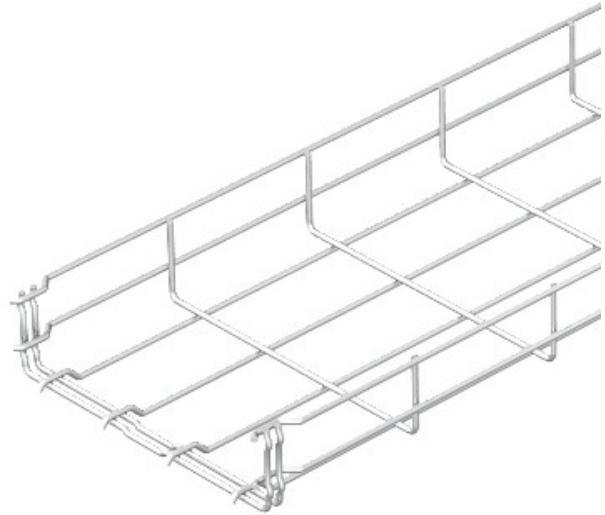
Electric Automation
Automation specialists

Reference: GRM 55 500VA4401

Code: 6001097

Mesh cable tray GRM , 55x500x3000,
Stained, Stainless steel, grade 316, VA,
1.4401

Buy it at [Electric Automation Network](#)



No atd>