



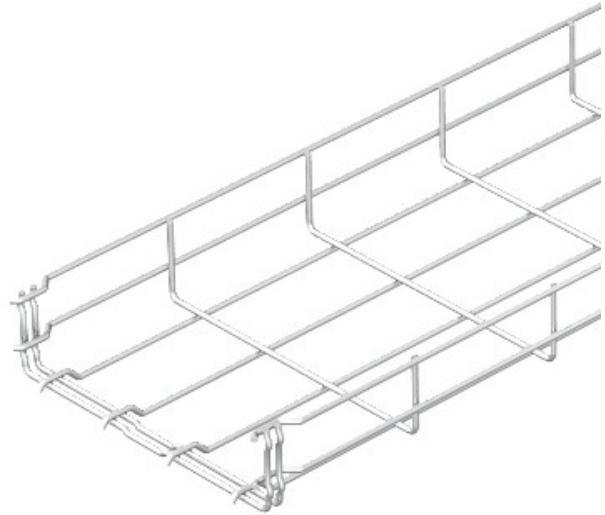
**Electric Automation**  
Automation specialists

Reference: GRM 55 400VA4401

Code: 6001095

Mesh cable tray GRM , 55x400x3000,  
Stained, Stainless steel, grade 316, VA,  
1.4401

[Buy it at Electric Automation Network](#)



No atd>