

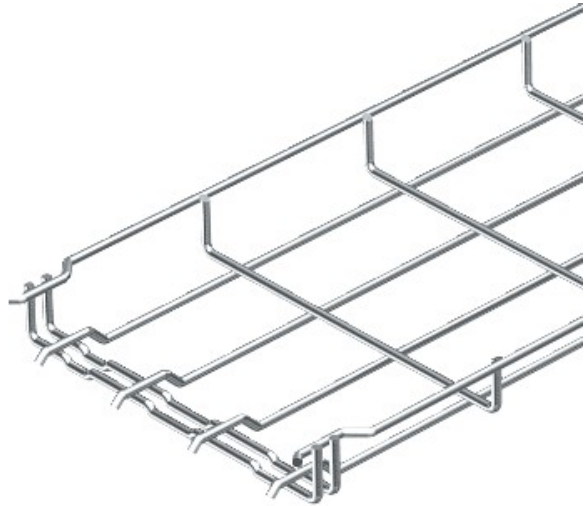


**Electric Automation**  
Automation specialists

Reference: GRM 35 200VA4401  
Code: 6000090

Mesh cable tray GRM , 35x200x3000,  
Stainless steel, grade 316, VA, 1.4401

[Buy it at Electric Automation Network](#)



No atd>