



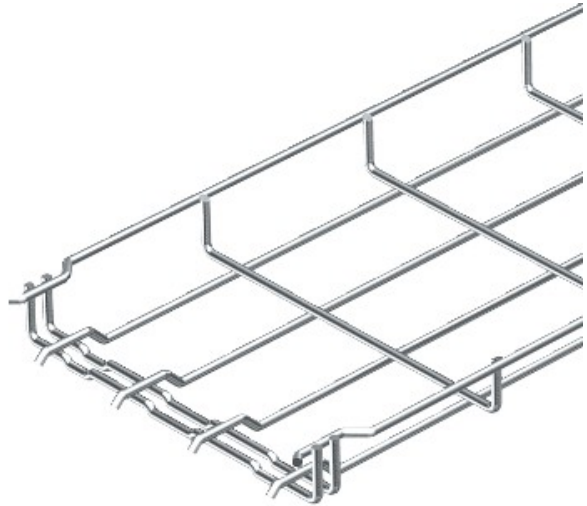
Electric Automation
Automation specialists

Reference: GRM 35 150 FT

Code: 6000072

Mesh cable tray GRM , 35x150x3000,
Hot-dip galvanised, DIN EN ISO 1461,
Steel, St

[Buy it at Electric Automation Network](#)



Magnetic shield insulation without cover 15 dB, with cover 25 dB.