

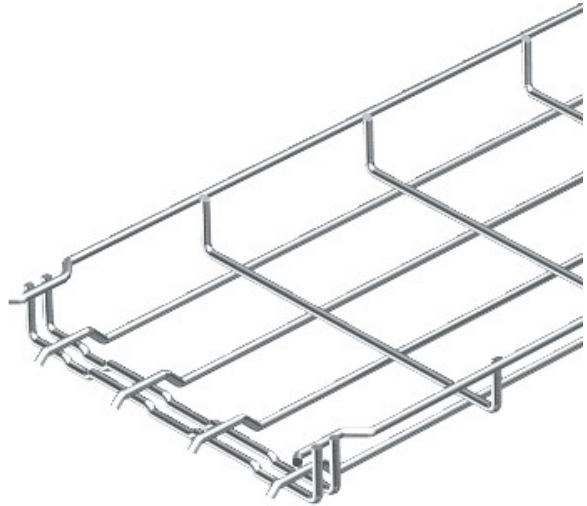


**Electric Automation**  
Automation specialists

Reference: GRM 35 300 G  
Code: 6000066

Mesh cable tray GRM , 35x300x3000,  
Electrogalvanised, DIN 50961, Steel, St

[Buy it at Electric Automation Network](#)



Magnetic shield insulation without cover 15 dB, with cover 25 dB.