



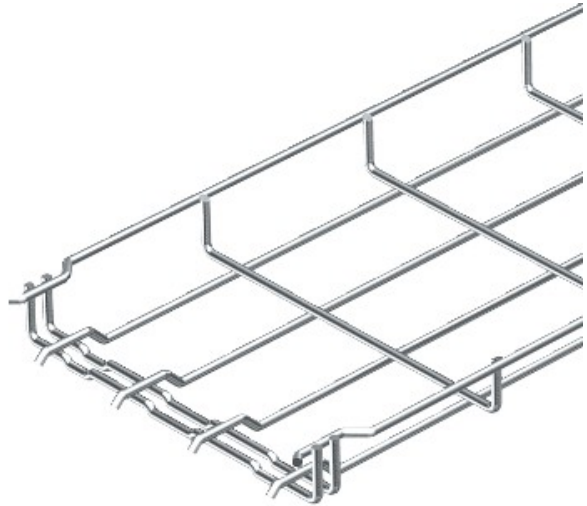
Electric Automation
Automation specialists

Reference: GRM 35 200 G

Code: 6000064

Mesh cable tray GRM , 35x200x3000,
Electrogalvanised, DIN 50961, Steel, St

[Buy it at Electric Automation Network](#)



Magnetic shield insulation without cover 15 dB, with cover 25 dB.