

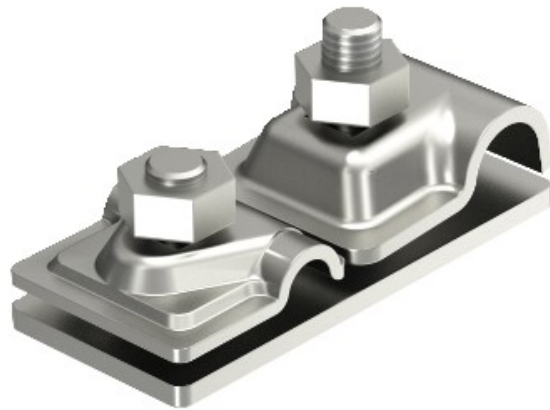


Electric Automation
Automation specialists

Reference: isCon AP1-16 VA
Code: 5408026

Connection plate for one isCon cable,
16x8-10mm, Stainless steel, grade 304,
VA, 1.4301

Buy it at [Electric Automation Network](#)



Connection plate to connect an isCon® cable with air-termination rod \varnothing 16 mm