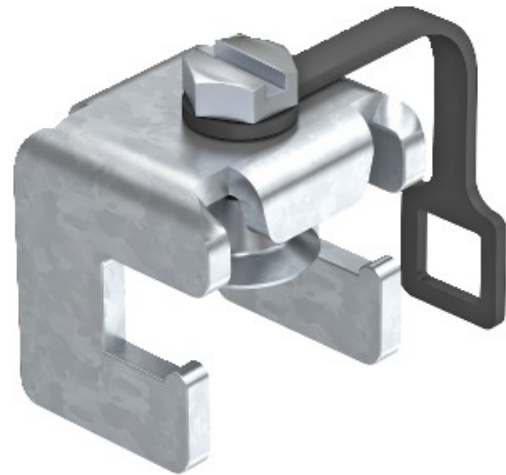




Reference: 1801 RK30  
Code: 5015731

Series terminal potential equalisation rail, 30mm, Electrogalvanised, DIN 50961, Steel, St

Buy it at [Electric Automation Network](#)



- For flat conductors to FL 30 and thickness to 5 mm
- Captive design with plastic safety strap
- 3 division units
- Lightning current carrying capacity 100 kA (10/350)
- Electrogalvanised steel