

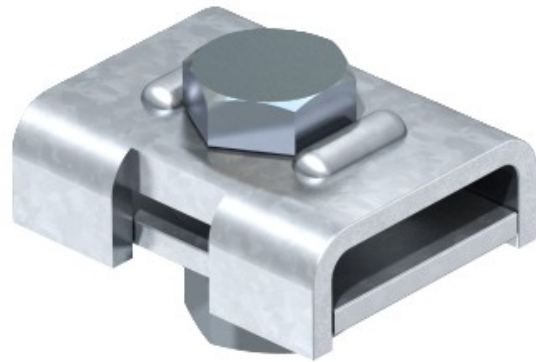


Electric Automation
Automation specialists

Reference: 1818
Code: 5012015

Connection terminal , Hot-dip
galvanised, DIN EN ISO 1461, Steel, St

[Buy it at Electric Automation Network](#)



- For connecting round conductor Rd 8-10
- With 1 hexagonal bolt M12 x 40, 1 hexagonal nut M12 and 1 lock washer, stainless steel