

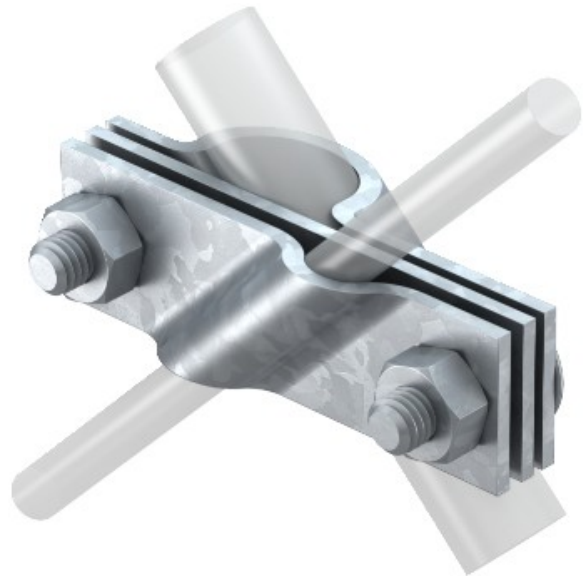


Electric Automation
Automation specialists

Reference: 2760 25 FT
Code: 5001668

Attaching clamp for round and flat cable,
25mm, Hot-dip galvanised, DIN EN ISO
1461, Steel, St

Buy it at [Electric Automation Network](#)



- Suitable for attaching round conductors Rd 8-10 or flat conductors to FL 40
- With separator plate
- Installed with 2 hexagonal bolts M10 x 30 and 2 hexagonal nuts M10