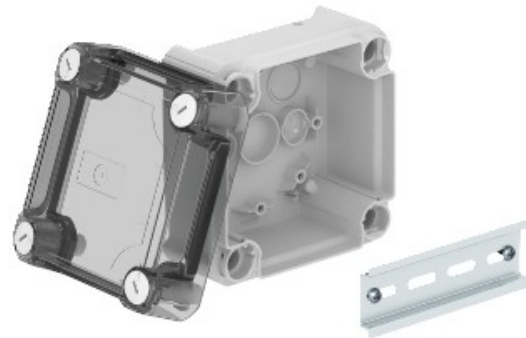




Reference: T 60 OE HD TR  
Code: 2007770

Junction box, closed with high transparent cover, 114x114x76, Light grey, 7035,

Buy it at [Electric Automation Network](#)



The junction boxes consist of thermoplastic material. The bottom parts are made from impact-resistant polypropylene, the box cover is made from extremely hard-wearing, impact-resistant polycarbonate. The high IK 10 impact resistance at -5°C shows this also.

Thanks to the elevated cover, OBO creates significantly more wiring space, therefore offering the facility to install and protect pushbuttons and series terminals, as well as the option to accommodate control sensors, switches and electronic equipment from the housing and installation technology area. Together with the fastening plate, it is an ideal partner in visible installations.